

ATX™ MRE Series 16 and 32 Amp Multiple Socket Outlets

Stationary and Portable. Increased Safety

ATEX/IECEx: Zones 1 and 2 – 21 and 22

Applications

- Plugs and sockets are used with portable or stationary electrical equipment such as:
 - Lighting systems
 - Conveyors
 - Heaters
 - Motor generators
 - Air conditioning equipment
 - Compressors
 - Pumps
- For use in corrosive atmospheres and installations in Zones 1 and 2 – 21 and 22 of the oil and gas industry such as:
 - Refineries
 - Chemical plants
 - Petrochemical plants
 - Pipelines
 - Loading docks
 - Onshore and offshore drilling platforms
 - LNG Trains
 - Gas Compressor Stations

Features

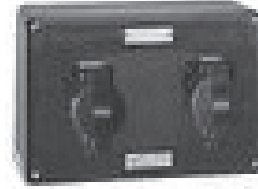
- Plug and socket assembly is equipped with a patented silver plated linear switch which allows a total disconnection of power when plug is removed.
- The high voltage contact separation is in a flameproof chamber.
- The automatic electrical disconnection of each phase is contained in a second flameproof chamber.
- Short circuit protection is 20 kA, while normal reference is 10 kA.
- Different voltages are color coded for easy identification.
- The sockets are keyed to accept only ATX plugs (other plugs can not be inserted).
- ATX plugs can be used in non-hazardous sockets.

Standard Materials

- Housing: high impact resistance fiberglass reinforced polyester or 316L stainless steel
- Flush sockets: polyamide

ATEX/IECEx Certifications and Compliances

- Certification Type: PCX/EN (Flush Socket)
 - Gas: Zones 1 and 2
 - Conforming to ATEX 2014/34/EU: Ⓢ II 2 G
 - Type of Protection: Ex de IIC
 - Temperature Class: T6 for $T_a \leq +40$ °C (+104 °F) and T5 for $+55$ °C (+131 °F)
 - Dust: Zones 21 and 22
 - Conforming to ATEX 2014/34/EU Ⓢ II 2 D
 - Type of Protection: Ex tD A21
 - Surface Temperature: T68 °C (T154 °F)
 - Service Temperature: -20 °C to +55 °C (-4 °F to +131 °F)
 - Impact Resistance (shock): IK09
 - Index of Protection according EN/IEC 60529: IP66
 - ATEX Certificate: LCIE 02 ATEX 0001U
 - IECEx Certificate: IECEX LCI 07.0012U
- Certification Type: CSPe (Housing)
 - Gas: Zones 1 and 2
 - Conforming to ATEX 2014/34/EU: Ⓢ II 2 G
 - Type of Protection: Ex e II
 - Temperature Class: T6



Two Socket Outlet Version

- Dust: Zones 21 and 22
 - Conforming to ATEX 2014/34/EU: Ⓢ II 2 D
 - Type of Protection: Ex tD A21
 - Surface Temperature: T75 °C (T167 °F)
 - Ambient Temperature: -55 °C to +60 °C (-67 °F to +140 °F) (empty housing)
 - Impact Resistance (shock): IK10
 - Index of Protection according EN/IEC 60529: IP66
 - ATEX Certificate: LCIE 09 ATEX 3032X
 - IECEx Certificate: IECEX LCI 09.0016X
- Certification Type: CAe (Housing)
 - Gas: Zones 1 and 2
 - Conforming to ATEX 2014/34/EU: Ⓢ II 2 G
 - Type of Protection: Ex e II
 - Temperature Class: T6 to T3
 - Dust: Zones 21 and 22
 - Conforming to ATEX 2014/34/EU: Ⓢ II 2 D
 - Type of Protection: Ex tD A21
 - Surface Temperature: T80 °C to T95 °C (T176 °F to T203 °F)
 - Ambient Temperature: -40 °C to +55 °C (-40 °F to +131 °F) (empty housing)
 - Impact Resistance (shock): IK10
 - Index of Protection according EN/IEC 60529: IP66
 - ATEX Certificate: LCIE 02 ATEX 6248X
 - IECEx Certificate: IECEX LCI 04.0016
 - Certification Type: JBe (Housing)
 - Gas: Zones 1 and 2
 - Conforming to ATEX 2014/34/EU: Ⓢ II 2 G
 - Type of Protection: Ex e II
 - Temperature Class: T6 to T2
 - Dust Zones 21 and 22
 - Conforming to ATEX 2014/34/EU: Ⓢ II 2 D
 - Type of Protection: Ex tD A21
 - Surface Temperature: T80 °C to T290 °C (T176 °F to T554 °F)
 - Ambient Temperature: -50 °C to +70 °C (-58 °F to +158 °F) (empty housing)
 - Impact Resistance (shock): IK10
 - Index of Protection according EN/IEC 60529: IP66
 - ATEX Certificate: LCIE 02 ATEX 6118X
 - IECEx Certificate: IECEX LCI 11.0008X

ATX™ MRE Series 16 and 32 Amp Multiple Socket Outlets

Stationary and Portable. Increased Safety

ATEX/IECEx: Zones 1 and 2 – 21 and 22

Plugs and Receptacles

Catalog Numbering Guide — ATEX/IECEx Internationally Certified Plugs and Receptacles

<p>MRE</p> <p>Series: MRE - MRE Series Zone 1, 2, 21 and 22 ATEX/IECEx Certified</p>	<p>P</p> <p>Socket Outlets Quantity: 0 1 2 3 4</p>	<p>1</p>	<p>2</p>	<p>16</p> <p>Amps: 16 - 16 A 32 - 32 A</p>	<p>P</p>	<p>T0</p> <p>Transformer Power: T0 - None T1 - 100 VA T2 - 160 VA T3 - 250 VA T4 - 400 VA</p>	<p>K</p>	<p>#</p> <p>Options: <i>Must be listed alphabetically</i> H - Portable Unit with Handle: Only available with SS 316L enclosure # - Customized Multiple Socket 6 digit number will be assigned at time of order placement</p>
<p>Enclosure Material: P - Polyester S - 316L Stainless Steel</p>	<p>Pin Configuration: 2 - 2P 3 - 2P+E 6 - 3P 4 - 3P+E 5 - 3P+N+E F - Drilling for Socket 2P-3P-2P+E 16A G - Drilling for Socket 3P+E - 3P+N+E 16A J - Drilling for Socket 3P+E - 3P+N+E 32A</p>	<p>Voltage: P - 20-25 Vac 50/60 Hz Y - 100-130 Vac 50/60 Hz B - 200-250 Vac 50/60 Hz R - 380-415 Vac 50/60 Hz</p>	<p>Primary/Secondary Voltage: K - 230-400 Vac/24 Vac L - 240-415 Vac/24 Vac M - 230-400 Vac/110 Vac</p>					

Description	Type	Weight kg (lb)	Volume dm ³ (in ³)	Catalog Number	Pack
<p>Pre-drilled Multiple Sockets in Polyester for 2 Flush Sockets 16 A — Ex de IIC T5 -20 °C to +55 °C (-4 °F to +131 °F)</p> <p><i>Supplied with: 1 x Terminal block 2P+E 6 mm² (0.009 in²); 1 x M20 plastic cable gland for unarmored cable – sealing diameter 5.5 to 14 mm (0.19 to 0.55 in).</i></p> <p>Layout 1 Dimensions in mm (in)</p>	<p>CSPe3</p> <p>PCX/EN</p>	<p>1.3 (2.87)</p>	<p>7 (427)</p>	<p>MREP2F</p>	<p>1</p>

ATX™ MRE Series 16 and 32 Amp Multiple Socket Outlets

Stationary and Portable. Increased Safety

ATEX/IECEx: Zones 1 and 2 – 21 and 22

Description	Type	Weight kg (lb)	Volume dm ³ (in ³)	Catalog Number	
Pre-drilled Multiple Sockets in Polyester for 4 Flush Sockets 16A — Ex de IIC T5 -20 °C to +55 °C (-4 °F to +131 °F)					
<i>Supplied with: 1 x Distribution block 4 poles 12 x 4 mm (0.47 x 0.16 in) with cable clamps – 2 x 10 mm² (0.003 x 0.016 in²) max.; 1 x M20 plastic cable gland for unarmored cable – sealing diameter 5.5 to 14 mm (0.19 to 0.55 in); 1 x M20 plastic blanking plug.</i>					
Layout 2 Dimensions in mm (in)					
	Pre-drilled enclosure for 4 flush sockets (not supplied) PRE Series 2P or 2P+E – 16A	CAe2 PCX/EN	4 (8.82)	15 (915)	MREP4F
	Pre-drilled enclosure for 4 flush sockets (not supplied) PRE Series 3P+E or 3P+N+E – 16A	CAe2 PCX/EN	4 (8.82)	15 (915)	MREP4G
	Blanking plug diameter 30 mm	—	0.1 (0.22)	0.18 (11)	UBP
Combined Units in Polyester with 4 Flush Sockets 16A — Ex de IIC T5 -20 °C to +55 °C (-4 °F to +131 °F)					
<i>Supplied with: 1 x Distribution block 4 poles 12 x 4 mm (0.47 x 0.16 in) with cable clamps – 2 x 10 mm² (0.003 x 0.016 in²) max.; 1 x M20 plastic cable gland for unarmored cable – sealing diameter 5.5 to 14 mm (0.19 to 0.55 in); 1 x M20 plastic blanking plug.</i>					
Layout 3 Dimensions in mm (in)					
	4 flush sockets 2P+E 16 A 20/25 Vac	CAe2 PCX/EN	5 (11.02)	25 (1526)	MREP4316P
	4 flush sockets 2P+E 16 A 200/250 Vac	CAe2 PCX/EN	5 (11.02)	25 (1526)	MREP4316B

Plugs and Receptacles

ATX™ MRE Series 16 and 32 Amp Multiple Socket Outlets

Stationary and Portable. Increased Safety

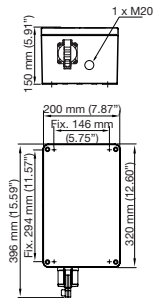
ATEX/IECEx: Zones 1 and 2 – 21 and 22

Description	Type	Weight kg (lb)	Volume dm ³ (in ³)	Catalog Number
-------------	------	----------------	---	----------------

Combined Units in Polyester with 1 Flush Socket 16 A — Ex de IIC T3 -20 °C to +40 °C (-4 °F to +104 °F)

Supplied with: 1 x Transformer 230-400 V/24 V 250 VA; 2 x Fuse carriers 14 x 51 for primary protection; 2 x Fuse carriers 14 x 51 for secondary protection; 1 x Flush socket 2P+E 16 A 24 Vac (PRE316FP); 1 x M20 plastic cable gland for unarmored cable – sealing diameter 5.5 to 14 mm (0.19 to 0.55 in).

Layout 4 | Dimensions in mm (in)



1 flush socket 2P+E 16 A 20/25 Vac and transformer 230-400 V/24 V 250 VA

C Ae2

PCX/EN

12 (26.46)

25 (1526)

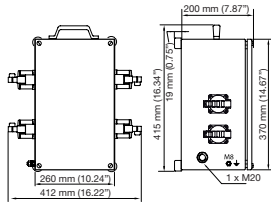
MREP1316PT3K

Portable Combined Units in 316L Stainless Steel with 4 Flush Sockets 16 A — Ex de IIC T3 -20 °C to +40 °C (-4 °F to +104 °F)

Supplied with: 1 x Transformer; 2 x Fuse carriers 14 x 51 for primary protection; 2 x Fuse carriers 14 x 51 for secondary protection; 4 x Flush sockets 2P+E 16 A 24 V (PRE316FP); 1 x M20 cable gland for unarmored cable – sealing diameter 5.5 to 14 mm (0.19 to 0.55 in).

Layout 5 | Dimensions in mm (in)

250 VA Portable Unit:



Ex de IIC T3 -20 °C to +40 °C (-4 °F to +104 °F)
4 flush sockets 2P+E 16 A 20/25 Vac and transformer 230-400 V/24 V 250 VA

JBe47

PCX/EN

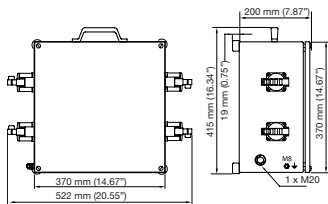
19 (41.89)

30 (1831)

MRES4316PT3KH

Layout 6 | Dimensions in mm (in)

400 VA Portable Unit:



Ex de IIC T2 -20 °C to +40 °C (-4 °F to +104 °F)
4 flush sockets 2P+E 16 A 20/25 Vac and transformer 230-400 V/24 V 400 VA

JBe55

PCX/EN

23 (50.71)

42 (2563)

MRES4316PT4KH

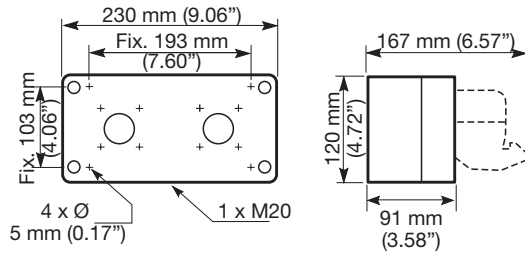
ATX™ MRE Series 16 and 32 Amp Multiple Socket Outlets

Stationary and Portable. Increased Safety

ATEX/IECEx: Zones 1 and 2 – 21 and 22

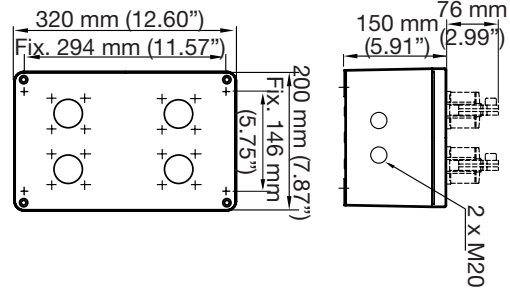
Dimensions in Millimeters (Inches)

Layout 1

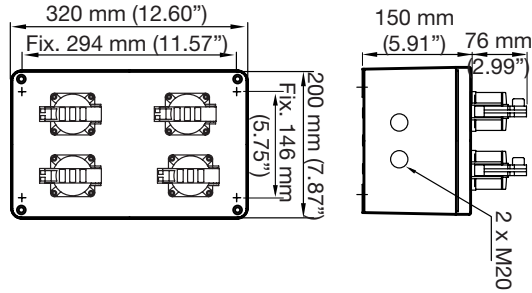


Layout 2

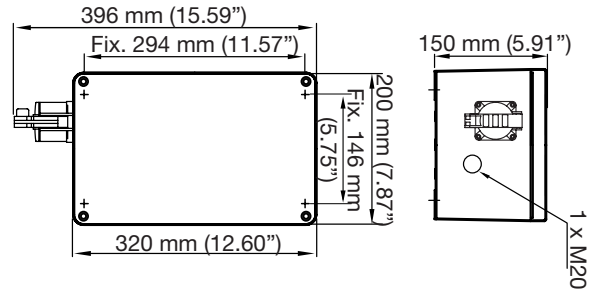
(Flush Sockets Not Supplied)



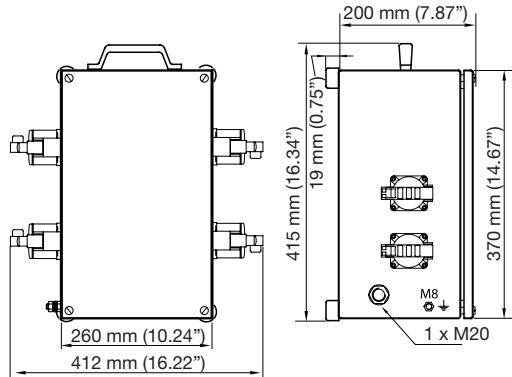
Layout 3



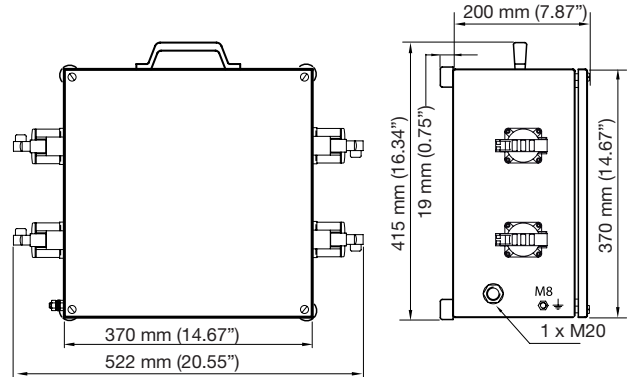
Layout 4



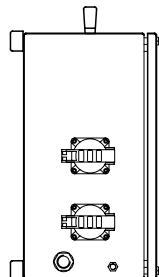
Layout 5



Layout 6



Position for Transportation



Position for Use

