

Mercmaster™ LED Generation 3 Series Luminaires

Standard or with Emergency Battery Backup
Enclosed and Gasketed Fixtures — Hazardous Locations

NEC/CEC Standard Model: Class I, Division 2, Groups A, B, C, D | Class II, Division 1 and 2, Group E, F, G | Class III | Class I, Zone 2 AEx ec IIC | Zone 21 AEx tb IIC | Class I, Zone 2 Ex ec II | Zone 21 Ex tb IIC | Type 3R, 4, 4X | IP66 | IP67 | Simultaneous Exposure | Suitable for Use in Wet Locations | Marine Outside Type (Salt Water)
NEC/CEC Emergency Battery Backup Model: Class I, Division 2, Groups A, B, C, D | Class II, Division 1 and 2, Group E, F, G | Class III | Class I, Zone 2 IIC | Zone 20 IIC | Type 3R, 4, 4X | IP66 | IP67 | Simultaneous Exposure | Suitable for Use in Wet Locations
ATEX/IECEx Standard Model: Zones 2 – 21 and 22
Notable: American Bureau of Shipping (ABS) Certified | International Dark Sky (IDA) Approved (Standard Model Only)

Applications

- Enclosed and gasketed fixtures suitable for use in:
 - A wide range of industrial, chemical processing and other areas where flammable gases and vapors or combustible dusts may be present
 - Marine and wet locations
 - Suitability includes use where there may be simultaneous exposure to flammable gases and vapors or combustible dusts
- Typical applications include:
 - Power plants
 - Processing plants
 - Chemical plants
 - Oil refineries
 - Waste and sewage treatment
 - Hydrogen and Biofuels plants
 - LNG (Liquid Natural Gas) plants
 - Other areas where dust, water, dirt and rough usage are a problem

Features

- All Models:
 - Modular design provides thousands of combinations for maximum versatility.
 - Choice of optics for optimal light distribution in a variety of applications: Type I, Type III, Type V or Type V Wide.
 - Customize to the application requirements with four different globe options: clear and diffused polycarbonate, clear glass, or prismatic glass refractor.
 - Seven standard mounting hood designs allow for mounting in any location. Uses same mounting hoods as Mercmaster III.
 - Watertight Pendant Hood with IP68 cord grip available to address water ingress into luminaire via conduit.
 - Retrofit adapters for Crouse-Hinds™ †, Mercmaster II, and Killark™ ‡ hoods available. See *Mounting Hood Adapters table*.
 - Hinge has high lip for added safety during installation and servicing. Hinge and bolt construction assures 360° compression at all points on fixture housing gasket for positive sealing. Swing away design of captive bolt and nut simplifies installation.
 - Rugged housing with superior thermal design translates to long luminaire life.
 - Luminaire housing has wiring compartment with terminal block separate for easy wiring access.
 - Spring-loaded screw-type terminal block can accept UL/CSA .14 to 6 mm² (26-10 AWG) wire.
 - Heavy duty, high temperature silicone gaskets.
 - Photometric data and electronic drawings available upon request.
 - Standard NPT threads with M20 option.
 - LED L70 reported at 76,000 hours.
 - Field replaceable globes and LED driver.
- Standard Model — NEC/CEC, ATEX/IECEx Certified:
 - Design is suited for mounting heights ranging from 2 m up to 15 m (7 ft up to 50 ft).
 - Choice of color temperature (CCT): 5000K cool white (70 CRI min), 4500K mid-neutral (80 CRI min), 4000K neutral white (80 CRI min), 3500K mid-warm (80 CRI min), or 3000K warm white (80 CRI min).
 - Ambient Temperature (standard product): -40 °C to +65 °C (-40 °F to +149 °F). Higher ambient options available (up to 75 °C [167 °F]) on select configurations. See Temperature Code table for details.



MLGL



MLGH/MLGX

- Standard 6 kV/3 kA surge protection. Optional 10 kV/5 kA available.
- Nine light outputs provide up to 26,000 lumens.

Nominal Lumens ①	HID Equivalent	Model
3500	70-100W	MLGL3
5500	100-150W	MLGL5
7500	175-250W	MLGL7
9500	250-350W	MLGL9/ MLGH9
11,500	350-400W	MLGH1
14,500	400W	MLGH3
17,500	400-600W	MLGH6
20,000	600-750W	MLGX1
24,000	1000W	MLGX5

- Emergency Battery Backup Model — NEC/CEC Certified:
 - Choice of color temperature (CCT): 5000K cool white, 4000K neutral white or 3000K warm white.
 - Customize to the application requirements with three different globe options: clear polycarbonate, diffused polycarbonate, and clear glass.
 - Standard 6 kV/3 kA surge protection.
 - Provides up to 1400 lumens illumination for 90 minutes of emergency lighting with clear lens or 800 lumens illumination for 180 minutes of emergency lighting.

Standard Mode		Emergency Mode	
Nominal Lumens ①	HID Equivalent	Nominal Lumens ①	Model
3500	70-100W	1450	MLGL3*H
		800	MLGL3*E
5500	100-150W	1450	MLGL5*H
		800	MLGL5*E

- Functional diagnostic test self-initiates every 14 days after initial start up.
- Duration test is automatically performed once per year.
- Green and Red LED lights indicate charging status and provide fault warning.
- Simple quick disconnect connector disconnects power between LEDs and battery management module to allow maintenance in hazardous locations.
- Suitable for mounting heights up to 4.27 meters (14 feet).
- Ambient Temperature: -20 °C to +55 °C (-4 °F to +131 °F)
- Field replaceable battery management module (BMM) and battery pack.

Warranty ☺

- 10 year standard warranty.

① Nominal lumen value for 5000K, clear glass globe, Type V Wide optic. Detailed lumen information is provided in the "Lumen Output (Efficacy)" tables.

‡ Killark is a registered trademark of Hubbell Incorporated.

† Crouse-Hinds is a registered trademark of Cooper Industries, Inc., a wholly owned subsidiary of the Eaton Corporation plc.

☺ For warranty details go to www.appleton.emerson.com.

Mercmaster™ LED Generation 3 Series Luminaires

Standard or with Emergency Battery Backup
Enclosed and Gasketed Fixtures — Hazardous Locations

NEC/CEC Standard Model: Class I, Division 2, Groups A, B, C, D | Class II, Division 1 and 2, Group E, F, G | Class III | Class I, Zone 2 AEx ec IIC | Zone 21 AEx tb IIIC | Class I, Zone 2 Ex ec II | Zone 21 Ex tb IIIC | Type 3R, 4, 4X | IP66 | IP67 | Simultaneous Exposure | Suitable for Use in Wet Locations | Marine Outside Type (Salt Water)
NEC/CEC Emergency Battery Backup Model: Class I, Division 2, Groups A, B, C, D | Class II, Division 1 and 2, Group E, F, G | Class III | Class I, Zone 2 IIC | Zone 20 IIIC | Type 3R, 4, 4X | IP66 | IP67 | Simultaneous Exposure | Suitable for Use in Wet Locations
ATEX/IECEx Standard Model: Zones 2 – 21 and 22
Notable: American Bureau of Shipping (ABS) Certified | International Dark Sky (IDA) Approved (Standard Model Only)

Options

- All Models:
 - Globe guard available, *purchase separately*.
 - Safety cable available, *purchase separately*.
 - Drain is available to divert water existing in the conduit system, *purchase separately*.
- Standard Model:
 - Refractor guard available, *purchase separately*
 - Optional provision for fusing; add suffix **-F** at the end of the catalog number.
 - Optional 10 kV surge protection. Add suffix **-S** at the end of the catalog number.
 - Some lumen output standard luminaires offer High Ambient temperature option up to 70 °C or 75 °C (158 °F or 167 °F). See Catalog Numbering Guide for specifics.
 - Photocontrols are available and are configured to your operating voltage. Add suffix **-1** for 120V, **-2** for 208V, **-3** for 240V, **-4** for 277V.

Standard Materials

- Mounting hoods and bodies: cast copperfree (4/10 of 1% max.) aluminum
- Gaskets: silicone
- All hardware and catch assemblies: stainless steel
- Globe: polycarbonate or glass
- Short refractor guard: stainless steel
- Tall refractor guard: diecast aluminum
- Globe guard, short refractor guard and safety cable: stainless steel wire

Standard Finishes

- Mounting hoods, bodies and glass refractor guard: gray epoxy powder coat finish, electrostatically applied for complete uniform protection

NEC/CEC Certifications and Compliances

- NEMA/ANSI/IEC Standards: 60529
- Standard Model:
 - UL Standard: UL 844; UL 1598; UL 50E; UL 8750; UL 60079-0; UL 60079-7; UL 60079-31
 - CSA Standard: C22.2 No. 0 - 10; C22.2 No. 94.2 - 15; C22.2 No. 137 -M1981; C22.2 No. 250.0 - 08; C22.2 No. 250.13 -14; C22.2 No. 60529; C22.2 No. 60079-0:15; C22.2 No. 60079-7:16; C22.2 No. 60079-31:15; CSA E60598-1:16
 - cCSAus: 164460, Certificate Number: 70112879

- Emergency Battery Backup Model:
 - UL Standard: UL 844; UL 1598; UL 50E; UL 8750; UL 60079-0; UL 924
 - CSA Standard: C22.2 No. 0 -10; C22.2 No. 94.2 - 15; C22.2 No. 137 -18; C22.2 No. 250.0 - 08; C22.2 No. 250.13 -14; CSA E60598-1:16
 - cCSAus: 164460, Certificate Number: 70182640

ATEX/IECEx Certifications and Compliances

- Standard Model:
 - Certification Type: Mercmaster Generation 3
 - Gas: Zones 2
 - Conforming to ATEX 2014/34/EU: II 3 G
 - Type of Protection: Ex ec IIC T* Gc
 - Temperature Class: T6 to T3
 - Dust: Zones 21 and 22
 - Conforming to ATEX 2014/34/EU: II 2 D
 - Type of Protection: Ex tb IIIC T**C Db; Ex tc IIIC T**C Dc
 - Surface Temperature: +61 °C to +104 °C (+142 °F to +219 °F)
 - Ambient Temperature: -40 °C up to +75 °C (-40 °F up to +167 °F)
 - ATEX Certificate: UL 22 ATEX 2672X, UL 22 ATEX 2682X
 - IECEx Certificate: IECEx UL 22.0003X
 - Index of Protection according EN/IEC 60529: IP66
 - Impact Resistance (shock): IK08
 - Photobiological Safety, IEC 62778 and IEC 62471: RG0 for all models

ABS Certifications

- Standard Model: 18-HS1726695-PDA
- Emergency Battery Backup Model: 22-2235738-PDA

International Dark-Sky Association

- Standard Model
 - IDA Dark-Sky Approved when ordering [I]MLG[A/B/C/D/R/W] xxW[P/D/G]5Bxxx with MMVISOR accessory

Design Lights™ Consortium

- Check DLC QPL for current list of products.

Related Products

- Industrial Mercmaster LED Generation 3 Luminaires
- Mercmaster LED Generation 3 Zone 1 Luminaires
- Mercmaster Connect LED Luminaires

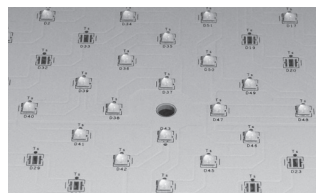
Illustrated Features — All Models



Type I - Long and narrow distribution pattern designed with walkways in mind.



Type III - Wall mounted distribution pattern designed where you need good forward light projection.



Type V - Symmetrical circle distribution pattern ideal when you need even coverage in all directions.



Type V Wide - Like the Type V distribution pattern with more vertical lumens designed to help spread the light quicker and more outdoors.

Mercmaster™ LED Generation 3 Series Luminaires

Standard or with Emergency Battery Backup
Enclosed and Gasketed Fixtures — Hazardous Locations

NEC/CEC Standard Model: Class I, Division 2, Groups A, B, C, D | Class II, Division 1 and 2, Group E, F, G | Class III | Class I, Zone 2 AEx ec IIC | Zone 21 AEx tb IIIC | Class I, Zone 2 Ex ec II | Zone 21 Ex tb IIIC | Type 3R, 4, 4X | IP66 | IP67 | Simultaneous Exposure | Suitable for Use in Wet Locations | Marine Outside Type (Salt Water)
NEC/CEC Emergency Battery Backup Model: Class I, Division 2, Groups A, B, C, D | Class II, Division 1 and 2, Group E, F, G | Class III | Class I, Zone 2 IIC | Zone 20 IIIC | Type 3R, 4, 4X | IP66 | IP67 | Simultaneous Exposure | Suitable for Use in Wet Locations
ATEX/IECEx Standard Model: Zones 2 – 21 and 22
Notable: American Bureau of Shipping (ABS) Certified | International Dark Sky (IDA) Approved (Standard Model Only)

Illustrated Features — All Models

Choose from **three color temperatures** (CCT): 3000K, 4000K, and 5000K ‡.

Four light distribution patterns: Type I, Type III, Type V and Type V Wide for application flexibility.

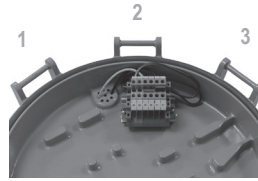
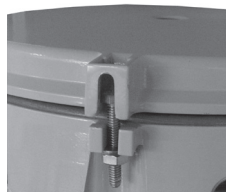
Seven mounting hoods allow one fixture to be configured for ceiling, pendant, stanchion, or wall applications.

Standard Model — **Four globes:** clear and diffused polycarbonate, clear glass globe, and prismatic refractor provide just the right level of diffusion.

Emergency Battery Backup Model — **Three globes:** clear and diffused polycarbonate and clear glass globe provide just the right level of diffusion.

Safety Features

Type I and Type III Hinge System



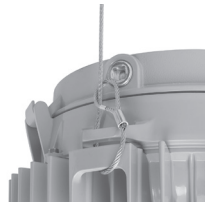
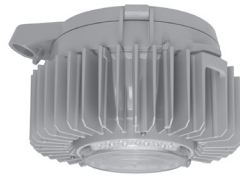
Latch Assembly and Hinge: Captive, stainless steel latch assembly (bolt and nut) closes securely while providing resistance to corrosive atmospheres. Swing-away design simplifies wiring and installation. Extra high hinge provides additional protection against accidental driver housing disengagement during installation or maintenance.

Type I and Type III light distribution patterns use a multiple hinged housing design which allows you to correctly line up the beam pattern in your desired direction. By using one of the three available hinges you can position the fixture for optimal light output.

Designed for the Environment

Safety Cable

Watertight Pendant Hood



Driver housing design incorporates separate sections for the terminal block and driver. The efficient thermal design ensures reliable heat transfer from the LED assembly out via the heatsink and the cast, epoxy powder coat, aluminum housing.

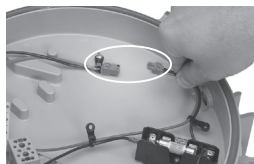
Safety cable is slipped around the housing through retention points that are casted in. Safety cable has built in loops combined with a locking carabiner to allow for a quick and secure installation.

Watertight pendant hood provides protection against water ingress in the conduit utilizing an IP68 cord grip with 3 wire holes 4 mm (0.157") in diameter.

Illustrated Features — Emergency Battery Backup Model

Quick Disconnect

Field Changeable Duration Setting



Simple quick disconnect connector disconnects power between LEDs and battery management module to allow for easy maintenance in hazardous locations.

Easy field changeable duration setting between 90 and 180 minutes.

‡ Other CCT options available upon request. Contact your local sales representative for more information.

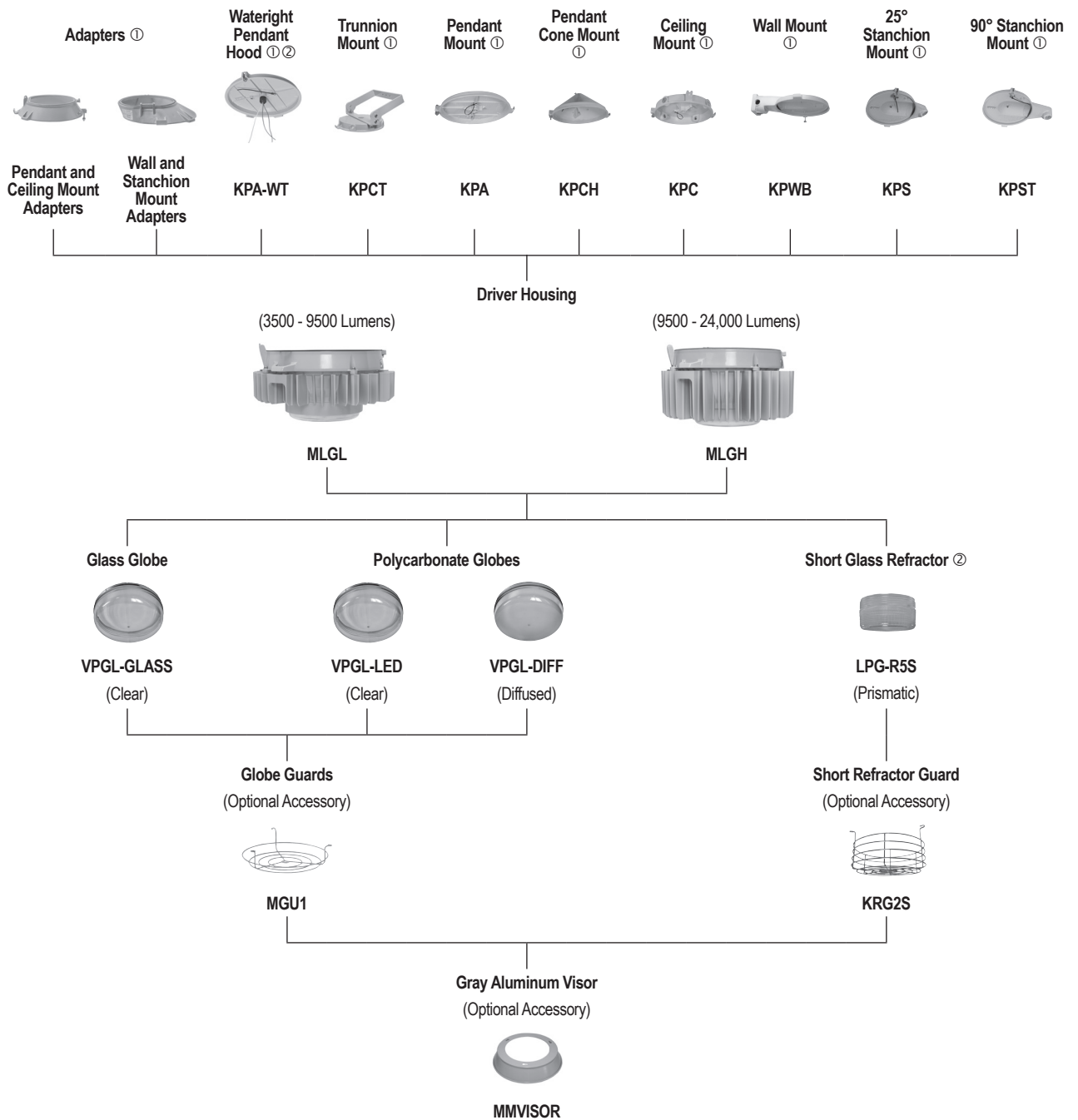
Mercmaster™ LED Generation 3 Series Luminaires

Standard

Enclosed and Gasketed Fixtures — Hazardous Locations

NEC/CEC Standard Model: Class I, Division 2, Groups A, B, C, D | Class II, Division 1 and 2, Group E, F, G | Class III | Class I, Zone 2 AEx ec IIC | Zone 21 AEx tb IIIC | Class I, Zone 2 Ex ec II | Zone 21 Ex tb IIIC | Type 3R, 4, 4X | IP66 | IP67 | Simultaneous Exposure | Suitable for Use in Wet Locations | Marine Outside Type (Salt Water)
 NEC/CEC Emergency Battery Backup Model: Class I, Division 2, Groups A, B, C, D | Class II, Division 1 and 2, Group E, F, G | Class III | Class I, Zone 2 IIC | Zone 20 IIIC | Type 3R, 4, 4X | IP66 | IP67 | Simultaneous Exposure | Suitable for Use in Wet Locations
 ATEX/IECEx Standard Model: Zones 2 – 21 and 22
 Notable: American Bureau of Shipping (ABS) Certified | International Dark Sky (IDA) Approved (Standard Model Only)

Family Tree — Mercmaster™ LED Generation 3 Series Luminaires — Standard Model



① See Mounting Hood Adapters table for part numbers.

② Certified for cCSAus only.

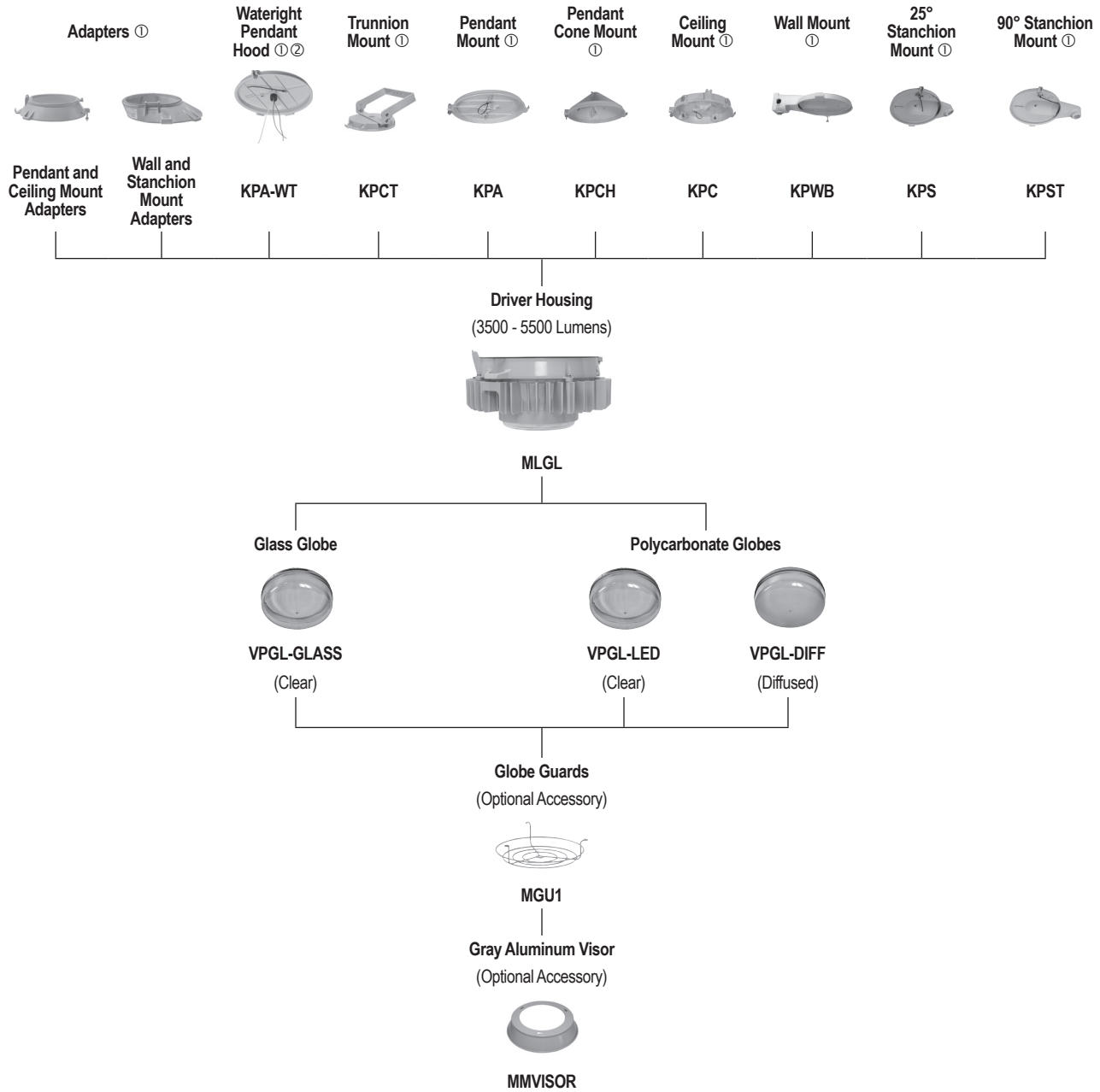
Mercmaster™ LED Generation 3 Series Luminaires

With Emergency Battery Backup

Enclosed and Gasketed Fixtures — Hazardous Locations

NEC/CEC Standard Model: Class I, Division 2, Groups A, B, C, D | Class II, Division 1 and 2, Group E, F, G | Class III | Class I, Zone 2 AEx ec IIC | Zone 21 AEx tb IIIC | Class I, Zone 2 Ex ec II | Zone 21 Ex tb IIIC | Type 3R, 4, 4X | IP66 | IP67 | Simultaneous Exposure | Suitable for Use in Wet Locations | Marine Outside Type (Salt Water)
 NEC/CEC Emergency Battery Backup Model: Class I, Division 2, Groups A, B, C, D | Class II, Division 1 and 2, Group E, F, G | Class III | Class I, Zone 2 IIC | Zone 20 IIIC | Type 3R, 4, 4X | IP66 | IP67 | Simultaneous Exposure | Suitable for Use in Wet Locations
 Notable: American Bureau of Shipping (ABS) Certified

Family Tree — Mercmaster™ LED Generation 3 Series Luminaires — Emergency Battery Backup Model



① See Mounting Hood Adapters table for part numbers.
 ② Certified for cCSAs only.

Mercmaster™ LED Generation 3 Series Luminaires

Standard

Enclosed and Gasketed Fixtures — Hazardous Locations

NEC/CEC Standard Model: Class I, Division 2, Groups A, B, C, D | Class II, Division 1 and 2, Group E, F, G | Class III | Class I, Zone 2 AEx ec IIC | Zone 21 AEx tb IIIC | Class I, Zone 2 Ex ec II | Zone 21 Ex tb IIIC | Type 3R, 4, 4X | IP66 | IP67 | Simultaneous Exposure | Suitable for Use in Wet Locations | Marine Outside Type (Salt Water)
 NEC/CEC Emergency Battery Backup Model: Class I, Division 2, Groups A, B, C, D | Class II, Division 1 and 2, Group E, F, G | Class III | Class I, Zone 2 IIC | Zone 20 IIIC | Type 3R, 4, 4X | IP66 | IP67 | Simultaneous Exposure | Suitable for Use in Wet Locations
 ATEX/IECEx Standard Model: Zones 2 – 21 and 22
 Notable: American Bureau of Shipping (ABS) Certified | International Dark Sky (IDA) Approved (Standard Model Only)

Order Using Catalog Numbering Guide — Mercmaster™ LED Generation 3 Series Hazardous Location Luminaires — Standard Model

MLG	A	L3	2	C	P	5	BU	F	1
Series Prefix: MLG - Mercmaster LED Generation 3 Series	Mounting: A - Pendant B - Watertight Pendant ▲ C - Ceiling ⑤ D - Pendant Cone ▲ ⑤ R - 90° Stanchion ① S - 25° Stanchion ① T - Trunnion K - Killark™ ✦ Adapter Universal ▲ U - Mercmaster II Adapter, Ceiling or Pendant ▲ V - Mercmaster II Adapter, Stanchion or Wall ▲ W - Wall X - Crouse Hinds™ ✦ Adapter, Ceiling or Pendant ▲ ⑥ Y - Crouse Hinds™ ✦ Adapter, Stanchion or Wall ▲ Blank - No mounting hood	Lumen (nominal): ✦ ✦ L3 - 3,500 L5 - 5,500 L7 - 7,500 L9 - 9,500 H9 - 9,500 ⑧ H1 - 11,500 H3 - 13,500 H6 - 17,500 X1 - 20,000 X5 - 24,000	Hub Size: 2 - 3/4" NPT ① 3 - 1" NPT ① 4 - 1-1/4" NPT stanchion 5 - 1-1/2" NPT stanchion 6 - Metric M20 ① Blank - If using adapter or no hood	Color Temperature: ‡ C - Cool, 5000K N - Neutral, 4000K W - Warm, 3000K	Globe Material: P - Clear Polycarbonate Globe D - Diffused Polycarbonate Globe G - Clear Glass Globe ③ J - Short Glass Prismatic Refractor ③ ⑥	Light Distribution Pattern: 1 - Type I ② 3 - Type III ② 5 - Type V ② W - Type V Wide	Voltage: BU - 120-277 Vac, 50/60 Hz; 125-300 Vdc ⑦ BH - 347-480 Vac, 50/60 Hz ▲	Options: ⌘ F - Fusing Blank - No fusing	Options: 1 - Photocontrol 120V ④ 2 - Photocontrol 208V ④ 3 - Photocontrol 240V ④ 4 - Photocontrol 277V ④ S - Additional surge to 10 kV ② A- High Ambient ⑧ ✦ Blank - No Options Chosen

① 3/4" NPT, 1" NPT and Metric M20 hub entries are not offered on 90° or 25° Stanchion mounting options.
 ② 10 year warranty standard when ordered with light distribution pattern Type I, III or V Wide or additional (10 kV) surge protection (not available with high ambient options). 10 kV surge is not rated for ATEX/IECEx.
 ③ Guards for the glass refractors and globes are ordered separately. See the Accessories for more information.
 ④ Photocontrol available for 120-277 Vac only. Factory installed in the mounting hood. Photocontrols only certified for cCSAus. Luminaires with photocontrol are not rated IECEx, IP66/67, Class II, 3R, 4, 4X, or Marine Outside Type (Salt Water).
 ⑤ Ceiling-mount and pendant cone mounting hoods and adapters are not designed to use the in hood photocontrol. Ceiling and pendant cone mounts must use an FS/FD box with photocontrol (ordered separately).
 ⑥ Only allowed for Type V and Type V Wide light distribution.
 ⑦ For 125-170 Vdc, operating temperature range is -40 °C to +55 °C (-40 °F to +131 °F) (for IECEx/ATEX only). NEC/CEC operating temperature remains -40 °C to +65 °C (-40 °F to +149 °F) for full Vdc range).

⑧ H9 only available with High Ambient option (-A). See details in Temperature code tables for specific NEC/CEC or ATEX/IECEx applications.
 ⑨ Short glass prismatic refractor (J) is only available in light distribution pattern Type V. Refractor is not rated for ATEX/IECEx.
 ✦ For NEC/CEC, high ambient is available with lumen packages L3 to H3. For ATEX/IECEx, high ambient is only available with lumen packages L7, H9 and H1. See details in Temperature code tables for specific NEC/CEC or ATEX/IECEx applications.
 ✦ For lumen output information, see Lumen Output (Efficacy) Table.
 ⌘ Fusing only permitted for NEC/CEC rating. Factory installed. Use of fuse voids Marine Outside Type (Salt Water) rating. Fusing is mounted in the driver housing.
 ‡ Other CCT options available upon request. Contact your local sales representative for more information.
 ▲ Adapters, watertight pendant hood and BH Voltage only certified for cCSAus. Not available for use with photocontrol.
 ✦ Killark is a registered trademark of Hubbell Incorporated.
 ✦ Crouse-Hinds is a registered trademark of Cooper Industries, Inc., a wholly owned subsidiary of the Eaton Corporation plc.

Mercmaster™ LED Generation 3 Series Luminaires

With Emergency Battery Backup

Enclosed and Gasketed Fixtures — Hazardous Locations

NEC/CEC Standard Model: Class I, Division 2, Groups A, B, C, D | Class II, Division 1 and 2, Group E, F, G | Class III | Class I, Zone 2 AEx ec IIC | Zone 21 AEx tb IIC | Class I, Zone 2 Ex ec II | Zone 21 Ex tb IIC | Type 3R, 4, 4X | IP66 | IP67 | Simultaneous Exposure | Suitable for Use in Wet Locations | Marine Outside Type (Salt Water)
 NEC/CEC Emergency Battery Backup Model: Class I, Division 2, Groups A, B, C, D | Class II, Division 1 and 2, Group E, F, G | Class III | Class I, Zone 2 IIC | Zone 20 IIC | Type 3R, 4, 4X | IP66 | IP67 | Simultaneous Exposure | Suitable for Use in Wet Locations
 Notable: American Bureau of Shipping (ABS) Certified

Order Using Catalog Numbering Guide — Mercmaster™ LED Generation 3 Series Hazardous Location Luminaires — Emergency Battery Backup Model

MLG	A	L3	2	C	P	5	BU	H
Series Prefix: MLG - Mercmaster LED Generation 3 Series with Emergency Battery Backup	Mounting: A - Pendant B - Watertight Pendant ▲ C - Ceiling D - Pendant Cone ▲ R - 90° Stanchion ① S - 25° Stanchion ① T - Trunnion K - Killark™ ✦ Adapter Universal ▲ U - Mercmaster II Adapter, Ceiling or Pendant ▲ V - Mercmaster II Adapter, Stanchion or Wall ▲ W - Wall X - Crouse Hinds™ ✦ Adapter, Ceiling or Pendant ▲ ③ Y - Crouse Hinds™ ✦ Adapter, Stanchion or Wall ▲ Blank - No mounting hood	Lumen (nominal): ✦ L3 - 3,500 L5 - 5,500	Hub Size: 2 - 3/4" NPT ① 3 - 1" NPT ① 4 - 1-1/4" NPT stanchion 5 - 1-1/2" NPT stanchion 6 - Metric M20 ① Blank - No hub if using adapter or ordering driver housing only (no mounting hood)	Color Temperature: C - Cool, 5000K N - Neutral, 4000K W - Warm, 3000K	Globe Material: P - Clear Polycarbonate Globe D - Diffused Polycarbonate Globe G - Clear Glass Globe ②	Light Distribution Pattern: 1 - Type I ④ 3 - Type III ④ 5 - Type V W - Type V Wide	Voltage: BU - 120-277 Vac, 50/60 Hz	Emergency: H - 90 Minutes E - 180 Minutes

① 3/4" NPT, 1" NPT and Metric M20 hub entries are not offered on 90° or 25° Stanchion mounting options.

② Guards for the globes are ordered separately. See the Accessories for more information.

③ Only allowed for Type V and Type V Wide light distribution.

④ Type I and Type III use a multiple hinge housing.

✦ For lumen output information, see Lumen Output (Efficacy) Table.

▲ Adapters only certified for cCSAus.

✦ Killark is a registered trademark of Hubbell Incorporated.

✦ Crouse-Hinds is a registered trademark of Cooper Industries, Inc., a wholly owned subsidiary of the Eaton Corporation plc.

Mercmaster™ LED Generation 3 Series Luminaires

Standard

Enclosed and Gasketed Fixtures — Hazardous Locations

NEC/CEC Standard Model: Class I, Division 2, Groups A, B, C, D | Class II, Division 1 and 2, Group E, F, G | Class III | Class I, Zone 2 AEx ec IIC | Zone 21 AEx tb IIIC | Class I, Zone 2 Ex ec II | Zone 21 Ex tb IIIC | Type 3R, 4, 4X | IP66 | IP67 | Simultaneous Exposure | Suitable for Use in Wet Locations | Marine Outside Type (Salt Water)
 NEC/CEC Emergency Battery Backup Model: Class I, Division 2, Groups A, B, C, D | Class II, Division 1 and 2, Group E, F, G | Class III | Class I, Zone 2 IIC | Zone 20 IIIC | Type 3R, 4, 4X | IP66 | IP67 | Simultaneous Exposure | Suitable for Use in Wet Locations
 ATEX/IECEx Standard Model: Zones 2 – 21 and 22
 Notable: American Bureau of Shipping (ABS) Certified | International Dark Sky (IDA) Approved (Standard Model Only)

Lumen Output (Efficacy) — Standard Model ①

Model	HID Equivalency	Light Distribution Pattern	CCT (Correlated Color Temperature)	CRI (Color Rendering Index)	Lumen Output	Efficacy (lm/W)	CCT	CRI	Lumen Output	Efficacy (lm/W)	CCT	CRI	Lumen Output	Efficacy (lm/W)
Clear Polycarbonate Globe														
MLGL3	70-100W	Type I	3000K	80	2800	87	4000K	80	2800	93	5000K	70	3200	107
		Type III	3000K	80	3000	93	4000K	80	3200	100	5000K	70	3500	117
		Type V	3000K	80	2950	98	4000K	80	3300	103	5000K	70	3700	110
		Type V Wide	3000K	80	3000	100	4000K	80	3150	105	5000K	70	3600	112
MLGL5	100-150W	Type I	3000K	80	4100	83	4000K	80	4500	91	5000K	70	5100	104
		Type III	3000K	80	4300	89	4000K	80	4700	100	5000K	70	5300	113
		Type V	3000K	80	4400	96	4000K	80	5000	100	5000K	70	5500	108
		Type V Wide	3000K	80	4450	97	4000K	80	4700	102	5000K	70	5100	109
MLGL7	175-250W	Type I	3000K	80	6250	105	4000K	80	6900	116	5000K	70	7500	132
		Type III	3000K	80	6500	111	4000K	80	7100	123	5000K	70	7500	139
		Type V	3000K	80	6950	114	4000K	80	7400	120	5000K	70	7900	125
		Type V Wide	3000K	80	6550	117	4000K	80	7550	124	5000K	70	7550	130
MLGL9	250-350W	Type I	3000K	80	7800	104	4000K	80	8400	112	5000K	70	9400	125
		Type III	3000K	80	8900	112	4000K	80	9400	117	5000K	70	9800	131
		Type V	3000K	80	9100	104	4000K	80	9500	109	5000K	70	9800	123
		Type V Wide	3000K	80	8500	106	4000K	80	8950	112	5000K	70	10100	126
MLGH9	250-350W	Type I	3000K	80	7800	104	4000K	80	8400	112	5000K	70	9400	125
		Type III	3000K	80	8900	108	4000K	80	9200	117	5000K	70	10200	131
		Type V	3000K	80	9150	116	4000K	80	9500	120	5000K	70	10800	137
		Type V Wide	3000K	80	8400	106	4000K	80	8700	110	5000K	70	9900	125
MLGH1	350-400W	Type I	3000K	80	9500	102	4000K	80	10200	110	5000K	70	11500	124
		Type III	3000K	80	10700	109	4000K	80	10700	115	5000K	70	12000	129
		Type V	3000K	80	10900	117	4000K	80	11800	127	5000K	70	13200	142
		Type V Wide	3000K	80	9700	104	4000K	80	10500	113	5000K	70	11800	127
MLGH3	400W	Type I	3000K	80	11400	99	4000K	80	12300	107	5000K	70	13800	120
		Type III	3000K	80	11900	103	4000K	80	12900	112	5000K	70	14500	126
		Type V	3000K	80	13100	114	4000K	80	14200	123	5000K	70	15900	138
		Type V Wide	3000K	80	11700	102	4000K	80	12700	110	5000K	70	14300	124
MLGH6	400-600W	Type I	3000K	80	13900	96	4000K	80	15100	104	5000K	70	16900	117
		Type III	3000K	80	14900	104	4000K	80	15600	108	5000K	70	17500	121
		Type V	3000K	80	16300	113	4000K	80	17100	118	5000K	70	19100	132
		Type V Wide	3000K	80	14700	102	4000K	80	15500	107	5000K	70	17400	120
MLGX1	600-750W	Type I	3000K	80	16431	97	4000K	80	17336	103	5000K	70	18338	109
		Type III	3000K	80	17110	101	4000K	80	18084	107	5000K	70	19096	113
		Type V	3000K	80	18623	110	4000K	80	19863	118	5000K	70	21019	124
		Type V Wide	3000K	80	17072	101	4000K	80	18044	107	5000K	70	19054	113
MLGX5	1000W	Type I	3000K	80	18859	90	4000K	80	19932	95	5000K	70	21048	100
		Type III	3000K	80	19514	93	4000K	80	20625	98	5000K	70	21779	104
		Type V	3000K	80	22103	105	4000K	80	23575	112	5000K	70	24947	119
		Type V Wide	3000K	80	20424	97	4000K	80	21586	103	5000K	70	22794	109

① All lumen values are typical (tolerance +/-10%).

Mercmaster™ LED Generation 3 Series Luminaires

Standard

Enclosed and Gasketed Fixtures — Hazardous Locations

NEC/CEC Standard Model: Class I, Division 2, Groups A, B, C, D | Class II, Division 1 and 2, Group E, F, G | Class III | Class I, Zone 2 AEx ec IIC | Zone 21 AEx tb IIIC | Class I, Zone 2 Ex ec II |

Zone 21 Ex tb IIIC | Type 3R, 4, 4X | IP66 | IP67 | Simultaneous Exposure | Suitable for Use in Wet Locations | Marine Outside Type (Salt Water)

NEC/CEC Emergency Battery Backup Model: Class I, Division 2, Groups A, B, C, D | Class II, Division 1 and 2, Group E, F, G | Class III | Class I, Zone 2 IIC | Zone 20 IIIC | Type 3R, 4, 4X |

IP66 | IP67 | Simultaneous Exposure | Suitable for Use in Wet Locations

ATEX/IECEx Standard Model: Zones 2 – 21 and 22

Notable: American Bureau of Shipping (ABS) Certified | International Dark Sky (IDA) Approved (Standard Model Only)

Lumen Output (Efficacy) — Standard Model ①

Model	HID Equivalency	Light Distribution Pattern	CCT (Correlated Color Temperature)	CRI (Color Rendering Index)	Lumen Output	Efficacy (lm/W)	CCT	CRI	Lumen Output	Efficacy (lm/W)	CCT	CRI	Lumen Output	Efficacy (lm/W)
Diffused Polycarbonate Globe														
MLGL3	70-100W	Type I	3000K	80	2700	87	4000K	80	2800	95	5000K	70	3100	108
		Type III	3000K	80	2800	92	4000K	80	3000	101	5000K	70	3300	112
		Type V	3000K	80	2900	97	4000K	80	3200	107	5000K	70	3600	123
		Type V Wide	3000K	80	2800	91	4000K	80	3000	101	5000K	70	3400	113
MLGL5	100-150W	Type I	3000K	80	4000	85	4000K	80	4400	94	5000K	70	4900	107
		Type III	3000K	80	4200	91	4000K	80	4600	100	5000K	70	5100	110
		Type V	3000K	80	4400	96	4000K	80	4800	104	5000K	70	5400	120
		Type V Wide	3000K	80	4200	90	4000K	80	4600	100	5000K	70	5000	110
MLGL7	175-250W	Type I	3000K	80	6000	101	4000K	80	6600	109	5000K	70	6900	122
		Type III	3000K	80	6400	108	4000K	80	6900	114	5000K	70	7200	126
		Type V	3000K	80	6600	116	4000K	80	7300	128	5000K	70	7700	129
		Type V Wide	3000K	80	6200	105	4000K	80	6600	115	5000K	70	7200	126
MLGL9/ MLGH9	250-350W	Type I	3000K	80	7700	101	4000K	80	8300	106	5000K	70	8900	118
		Type III	3000K	80	8400	106	4000K	80	8800	113	5000K	70	9700	124
		Type V	3000K	80	8500	113	4000K	80	9200	123	5000K	70	10300	137
		Type V Wide	3000K	80	8200	105	4000K	80	8700	111	5000K	70	9700	124
MLGH1	350-400W	Type I	3000K	80	9600	98	4000K	80	10000	104	5000K	70	11100	115
		Type III	3000K	80	10100	104	4000K	80	10600	110	5000K	70	11700	121
		Type V	3000K	80	10300	111	4000K	80	11200	120	5000K	70	12500	134
		Type V Wide	3000K	80	9900	102	4000K	80	10400	109	5000K	70	11700	121
MLGH3	400W	Type I	3000K	80	10900	96	4000K	80	11600	103	5000K	70	12900	114
		Type III	3000K	80	11700	103	4000K	80	12400	109	5000K	70	13600	120
		Type V	3000K	80	12500	109	4000K	80	13500	117	5000K	70	15100	131
		Type V Wide	3000K	80	11500	101	4000K	80	12100	107	5000K	70	13700	120
MLGH6	400-600W	Type I	3000K	80	13200	93	4000K	80	14000	99	5000K	70	15700	109
		Type III	3000K	80	14200	99	4000K	80	15000	105	5000K	70	16500	115
		Type V	3000K	80	15800	109	4000K	80	17000	118	5000K	70	18200	126
		Type V Wide	3000K	80	14000	97	4000K	80	14800	104	5000K	70	16600	116
MLGX1	600-750W	Type I	3000K	80	15587	92	4000K	80	16491	98	5000K	70	17377	103
		Type III	3000K	80	16221	96	4000K	80	17161	102	5000K	70	18083	107
		Type V	3000K	80	18036	107	4000K	80	19260	114	5000K	70	20063	119
		Type V Wide	3000K	80	16153	96	4000K	80	17089	101	5000K	70	18007	107
MLGX5	1000W	Type I	3000K	80	17885	85	4000K	80	18922	90	5000K	70	19939	95
		Type III	3000K	80	18499	88	4000K	80	19571	93	5000K	70	20623	98
		Type V	3000K	80	21475	102	4000K	80	22932	109	5000K	70	23888	114
		Type V Wide	3000K	80	19275	92	4000K	80	20393	97	5000K	70	21489	102

① All lumen values are typical (tolerance +/-10%).

Mercmaster™ LED Generation 3 Series Luminaires

Standard

Enclosed and Gasketed Fixtures — Hazardous Locations

NEC/CEC Standard Model: Class I, Division 2, Groups A, B, C, D | Class II, Division 1 and 2, Group E, F, G | Class III | Class I, Zone 2 AEx ec IIC | Zone 21 AEx tb IIIC | Class I, Zone 2 Ex ec II | Zone 21 Ex tb IIIC | Type 3R, 4, 4X | IP66 | IP67 | Simultaneous Exposure | Suitable for Use in Wet Locations | Marine Outside Type (Salt Water)
 NEC/CEC Emergency Battery Backup Model: Class I, Division 2, Groups A, B, C, D | Class II, Division 1 and 2, Group E, F, G | Class III | Class I, Zone 2 IIC | Zone 20 IIIC | Type 3R, 4, 4X | IP66 | IP67 | Simultaneous Exposure | Suitable for Use in Wet Locations
 ATEX/IECEx Standard Model: Zones 2 – 21 and 22
 Notable: American Bureau of Shipping (ABS) Certified | International Dark Sky (IDA) Approved (Standard Model Only)

Lumen Output (Efficacy) — Standard Model ①

Model	HID Equivalency	Light Distribution Pattern	CCT (Correlated Color Temperature)	CRI (Color Rendering Index)	Lumen Output	Efficacy (lm/W)	CCT	CRI	Lumen Output	Efficacy (lm/W)	CCT	CRI	Lumen Output	Efficacy (lm/W)
Clear Glass Globe														
MLGL3	70-100W	Type I	3000K	80	2900	93	4000K	80	3100	103	5000K	70	3500	117
		Type III	3000K	80	3100	102	4000K	80	3200	107	5000K	70	3700	123
		Type V	3000K	80	3100	103	4000K	80	3200	107	5000K	70	3450	115
		Type V Wide	3000K	80	3150	105	4000K	80	3400	108	5000K	70	3750	117
MLGL5	100-150W	Type I	3000K	80	4200	91	4000K	80	4600	100	5000K	70	5300	115
		Type III	3000K	80	4400	96	4000K	80	4800	104	5000K	70	5400	117
		Type V	3000K	80	4650	101	4000K	80	5300	114	5000K	70	5700	112
		Type V Wide	3000K	80	4700	102	4000K	80	4900	107	5000K	70	5250	114
MLGL7	175-250W	Type I	3000K	80	6400	112	4000K	80	7100	125	5000K	70	8000	140
		Type III	3000K	80	6600	116	4000K	80	7300	128	5000K	70	8300	146
		Type V	3000K	80	7250	119	4000K	80	7600	125	5000K	70	8200	131
		Type V Wide	3000K	80	7750	124	4000K	80	7900	130	5000K	70	8300	136
MLGL9	250-350W	Type I	3000K	80	8500	111	4000K	80	8800	117	5000K	70	9900	132
		Type III	3000K	80	9100	115	4000K	80	9800	124	5000K	70	10400	139
		Type V	3000K	80	8550	107	4000K	80	9800	113	5000K	70	10150	127
		Type V Wide	3000K	80	8850	111	4000K	80	9300	116	5000K	70	10500	131
MLGH9	250-350W	Type I	3000K	80	8100	108	4000K	80	8800	117	5000K	70	9900	132
		Type III	3000K	80	8600	115	4000K	80	9300	124	5000K	70	10400	139
		Type V	3000K	80	9300	124	4000K	80	10100	135	5000K	70	11200	149
		Type V Wide	3000K	80	8500	113	4000K	80	9200	123	5000K	70	10300	137
MLGH1	350-400W	Type I	3000K	80	9900	106	4000K	80	10700	115	5000K	70	12000	129
		Type III	3000K	80	11200	115	4000K	80	11300	122	5000K	70	12600	135
		Type V	3000K	80	11400	123	4000K	80	12300	132	5000K	70	13600	146
		Type V Wide	3000K	80	10300	111	4000K	80	11200	120	5000K	70	12500	134
MLGH3	400W	Type I	3000K	80	12000	104	4000K	80	12900	112	5000K	70	14500	126
		Type III	3000K	80	12600	110	4000K	80	13600	118	5000K	70	15300	133
		Type V	3000K	80	13700	119	4000K	80	14900	130	5000K	70	16400	143
		Type V Wide	3000K	80	12500	109	4000K	80	13500	117	5000K	70	15100	131
MLGH6	400-600W	Type I	3000K	80	14500	100	4000K	80	15700	108	5000K	70	17700	122
		Type III	3000K	80	15100	104	4000K	80	16400	113	5000K	70	18400	127
		Type V	3000K	80	17000	117	4000K	80	18000	124	5000K	70	20100	139
		Type V Wide	3000K	80	15000	103	4000K	80	16300	112	5000K	70	18200	126
MLGX1	600-750W	Type I	3000K	80	17170	102	4000K	80	18188	108	5000K	70	19206	114
		Type III	3000K	80	17931	106	4000K	80	18994	112	5000K	70	20057	119
		Type V	3000K	80	20006	118	4000K	80	21366	126	5000K	70	21937	130
		Type V Wide	3000K	80	17830	106	4000K	80	18887	112	5000K	70	19944	118
MLGX5	1000W	Type I	3000K	80	19468	93	4000K	80	20623	98	5000K	70	21777	104
		Type III	3000K	80	20342	97	4000K	80	21548	103	5000K	70	22754	108
		Type V	3000K	80	23776	113	4000K	80	25392	121	5000K	70	26070	124
		Type V Wide	3000K	80	21285	101	4000K	80	22547	107	5000K	70	23809	113

① All lumen values are typical (tolerance +/-10%).

Mercmaster™ LED Generation 3 Series Luminaires

Standard

Enclosed and Gasketed Fixtures — Hazardous Locations

NEC/CEC Standard Model: Class I, Division 2, Groups A, B, C, D | Class II, Division 1 and 2, Group E, F, G | Class III | Class I, Zone 2 AEx ec IIC | Zone 21 AEx tb IIIC | Class I, Zone 2 Ex ec II |

Zone 21 Ex tb IIIC | Type 3R, 4, 4X | IP66 | IP67 | Simultaneous Exposure | Suitable for Use in Wet Locations | Marine Outside Type (Salt Water)

NEC/CEC Emergency Battery Backup Model: Class I, Division 2, Groups A, B, C, D | Class II, Division 1 and 2, Group E, F, G | Class III | Class I, Zone 2 IIC | Zone 20 IIIC | Type 3R, 4, 4X |

IP66 | IP67 | Simultaneous Exposure | Suitable for Use in Wet Locations

ATEX/IECEx Standard Model: Zones 2 – 21 and 22

Notable: American Bureau of Shipping (ABS) Certified | International Dark Sky (IDA) Approved (Standard Model Only)

Lumen Output (Efficacy) — Standard Model ①

Model	HID Equivalency	Light Distribution Pattern	CCT (Correlated Color Temperature)	CRI (Color Rendering Index)	Lumen Output	Efficacy (lm/W)	CCT	CRI	Lumen Output	Efficacy (lm/W)	CCT	CRI	Lumen Output	Efficacy (lm/W)
Glass Prismatic Refractor														
MLGL3	70-100W	Type V	3000K	80	2800	91	4000K	80	3000	101	5000K	70	3400	111
MLGL5	100-150W	Type V	3000K	80	4200	90	4000K	80	4600	99	5000K	70	5100	110
MLGL7	175-250W	Type V	3000K	80	6300	107	4000K	80	6700	113	5000K	70	7300	123
MLGL9/ MLGH9	250-350W	Type V	3000K	80	8400	107	4000K	80	8800	112	5000K	70	9700	124
MLGH1	350-400W	Type V	3000K	80	10100	105	4000K	80	10600	110	5000K	70	11700	121
MLGH3	400W	Type V	3000K	80	11800	104	4000K	80	12400	109	5000K	70	13600	120
MLGH6	400-600W	Type V	3000K	80	14500	100	4000K	80	15100	105	5000K	70	16700	116
MLGX1	600-750W	Type V	3000K	80	16798	99	4000K	80	17915	106	5000K	70	18318	108
MLGX5	1000W	Type V	3000K	80	19962	95	4000K	80	21290	101	5000K	70	21769	104

① All lumen values are typical (tolerance +/-10%).

Mercmaster™ LED Generation 3 Series Luminaires

With Emergency Battery Backup

Enclosed and Gasketed Fixtures — Hazardous Locations

NEC/CEC Standard Model: Class I, Division 2, Groups A, B, C, D | Class II, Division 1 and 2, Group E, F, G | Class III | Class I, Zone 2 AEx ec IIC | Zone 21 AEx tb IIIC | Class I, Zone 2 Ex ec II | Zone 21 Ex tb IIIC | Type 3R, 4, 4X | IP66 | IP67 | Simultaneous Exposure | Suitable for Use in Wet Locations | Marine Outside Type (Salt Water)
 NEC/CEC Emergency Battery Backup Model: Class I, Division 2, Groups A, B, C, D | Class II, Division 1 and 2, Group E, F, G | Class III | Class I, Zone 2 IIC | Zone 20 IIIC | Type 3R, 4, 4X | IP66 | IP67 | Simultaneous Exposure | Suitable for Use in Wet Locations
 Notable: American Bureau of Shipping (ABS) Certified

Lumen Output (Efficacy) — Emergency Battery Backup Model ①

Model	HID Equivalency	Light Distribution Pattern	CCT (Correlated Color Temperature)	CRI (Color Rendering Index)	Lumen Output	Efficacy (lm/W)	CCT	CRI	Lumen Output	Efficacy (lm/W)	CCT	CRI	Lumen Output	Efficacy (lm/W)
Clear Polycarbonate Globe														
MLGL3	70-100W	Type I	3000K	80	2600	87	4000K	80	3000	100	5000K	70	3200	107
		Type III	3000K	80	2800	93	4000K	80	3000	100	5000K	70	3500	117
		Type V	3000K	80	3000	100	4000K	80	3300	110	5000K	70	3800	127
		Type V Wide	3000K	80	2900	96	4000K	80	2900	97	5000K	70	3600	119
MLGL3 — 90 Minute Emergency Mode	70-100W	Type I	3000K	80	1150	N/A	4000K	80	1280	N/A	5000K	70	1400	N/A
		Type III	3000K	80	1150	N/A	4000K	80	1280	N/A	5000K	70	1400	N/A
		Type V	3000K	80	1150	N/A	4000K	80	1280	N/A	5000K	70	1400	N/A
		Type V Wide	3000K	80	1150	N/A	4000K	80	1280	N/A	5000K	70	1400	N/A
MLGL5	100-150W	Type I	3000K	80	3800	83	4000K	80	4200	91	5000K	70	4800	104
		Type III	3000K	80	4100	89	4000K	80	4600	100	5000K	70	5200	113
		Type V	3000K	80	4500	98	4000K	80	5000	109	5000K	70	5700	124
		Type V Wide	3000K	80	4400	94	4000K	80	4800	105	5000K	70	6000	129
MLGL5 — 90 Minute Emergency Mode	100-150W	Type I	3000K	80	1150	N/A	4000K	80	1280	N/A	5000K	70	1400	N/A
		Type III	3000K	80	1150	N/A	4000K	80	1280	N/A	5000K	70	1400	N/A
		Type V	3000K	80	1150	N/A	4000K	80	1280	N/A	5000K	70	1400	N/A
		Type V Wide	3000K	80	1150	N/A	4000K	80	1280	N/A	5000K	70	1400	N/A
Diffused Polycarbonate Globe														
MLGL3	70-100W	Type I	3000K	80	2700	87	4000K	80	2900	95	5000K	70	3200	108
		Type III	3000K	80	2800	92	4000K	80	3000	101	5000K	70	3300	112
		Type V	3000K	80	2900	97	4000K	80	3200	107	5000K	70	3700	123
		Type V Wide	3000K	80	2800	91	4000K	80	3000	101	5000K	70	3400	113
MLGL3 — 90 Minute Emergency Mode	70-100W	Type I	3000K	80	1100	N/A	4000K	80	1230	N/A	5000K	70	1350	N/A
		Type III	3000K	80	1100	N/A	4000K	80	1230	N/A	5000K	70	1350	N/A
		Type V	3000K	80	1100	N/A	4000K	80	1230	N/A	5000K	70	1350	N/A
		Type V Wide	3000K	80	1100	N/A	4000K	80	1230	N/A	5000K	70	1350	N/A
MLGL5	100-150W	Type I	3000K	80	4000	85	4000K	80	4400	94	5000K	70	4900	107
		Type III	3000K	80	4200	91	4000K	80	6400	100	5000K	70	5100	110
		Type V	3000K	80	4400	96	4000K	80	4800	104	5000K	70	5500	120
		Type V Wide	3000K	80	4200	90	4000K	80	4600	100	5000K	70	5100	110
MLGL5 — 90 Minute Emergency Mode	100-150W	Type I	3000K	80	1100	N/A	4000K	80	1230	N/A	5000K	70	1350	N/A
		Type III	3000K	80	1100	N/A	4000K	80	1230	N/A	5000K	70	1350	N/A
		Type V	3000K	80	1100	N/A	4000K	80	1230	N/A	5000K	70	1350	N/A
		Type V Wide	3000K	80	1100	N/A	4000K	80	1230	N/A	5000K	70	1350	N/A

① All lumen values are typical (tolerance +/-10%). For Lumen Output (Efficacy) of the emergency battery backup model in 180 minute emergency mode, contact your local sales representative.

Mercmaster™ LED Generation 3 Series Luminaires

With Emergency Battery Backup

Enclosed and Gasketed Fixtures — Hazardous Locations

NEC/CEC Standard Model: Class I, Division 2, Groups A, B, C, D | Class II, Division 1 and 2, Group E, F, G | Class III | Class I, Zone 2 AEx ec IIC | Zone 21 AEx tb IIIC | Class I, Zone 2 Ex ec II |

Zone 21 Ex tb IIIC | Type 3R, 4, 4X | IP66 | IP67 | Simultaneous Exposure | Suitable for Use in Wet Locations | Marine Outside Type (Salt Water)

NEC/CEC Emergency Battery Backup Model: Class I, Division 2, Groups A, B, C, D | Class II, Division 1 and 2, Group E, F, G | Class III | Class I, Zone 2 IIC | Zone 20 IIIC | Type 3R, 4, 4X |

IP66 | IP67 | Simultaneous Exposure | Suitable for Use in Wet Locations

Notable: American Bureau of Shipping (ABS) Certified

Lumen Output (Efficacy) — Emergency Battery Backup Model ①

Model	HID Equivalency	Light Distribution Pattern	CCT (Correlated Color Temperature)	CRI (Color Rendering Index)	Lumen Output	Efficacy (lm/W)	CCT	CRI	Lumen Output	Efficacy (lm/W)	CCT	CRI	Lumen Output	Efficacy (lm/W)
Clear Glass Globe														
MLGL3	70-100W	Type I	3000K	80	2800	93	4000K	80	3100	103	5000K	70	3500	111
		Type III	3000K	80	3100	102	4000K	80	3200	107	5000K	70	3700	116
		Type V	3000K	80	3100	102	4000K	80	3600	120	5000K	70	4000	133
		Type V Wide	3000K	80	3100	101	4000K	80	3200	107	5000K	70	3600	120
MLGL3 — 90 Minute Emergency Mode	70-100W	Type I	3000K	80	1200	N/A	4000K	80	1330	N/A	5000K	70	1450	N/A
		Type III	3000K	80	1200	N/A	4000K	80	1330	N/A	5000K	70	1450	N/A
		Type V	3000K	80	1200	N/A	4000K	80	1330	N/A	5000K	70	1450	N/A
		Type V Wide	3000K	80	1200	N/A	4000K	80	1330	N/A	5000K	70	1350	N/A
MLGL5	100-150W	Type I	3000K	80	4200	91	4000K	80	5000	106	5000K	70	5300	115
		Type III	3000K	80	4400	95	4000K	80	5200	110	5000K	70	5400	117
		Type V	3000K	80	4800	104	4000K	80	5300	113	5000K	70	6000	130
		Type V Wide	3000K	80	4900	99	4000K	80	5200	110	5000K	70	5400	117
MLGL5 — 90 Minute Emergency Mode	100-150W	Type I	3000K	80	1200	N/A	4000K	80	1330	N/A	5000K	70	1450	N/A
		Type III	3000K	80	1200	N/A	4000K	80	1330	N/A	5000K	70	1450	N/A
		Type V	3000K	80	1200	N/A	4000K	80	1330	N/A	5000K	70	1450	N/A
		Type V Wide	3000K	80	1200	N/A	4000K	80	1330	N/A	5000K	70	1350	N/A

① All lumen values are typical (tolerance +/-10%). For Lumen Output (Efficacy) of the emergency battery backup model in 180 minute emergency mode, contact your local sales representative.

Mercmaster™ LED Generation 3 Series Luminaires

Standard

Enclosed and Gasketed Fixtures — Hazardous Locations

NEC/CEC Standard Model: Class I, Division 2, Groups A, B, C, D | Class II, Division 1 and 2, Group E, F, G | Class III | Class I, Zone 2 AEx ec IIC | Zone 21 AEx tb IIIC | Class I, Zone 2 Ex ec II | Zone 21 Ex tb IIIC | Type 3R, 4, 4X | IP66 | IP67 | Simultaneous Exposure | Suitable for Use in Wet Locations | Marine Outside Type (Salt Water)
 NEC/CEC Emergency Battery Backup Model: Class I, Division 2, Groups A, B, C, D | Class II, Division 1 and 2, Group E, F, G | Class III | Class I, Zone 2 IIC | Zone 20 IIIC | Type 3R, 4, 4X | IP66 | IP67 | Simultaneous Exposure | Suitable for Use in Wet Locations
 ATEX/IECEx Standard Model: Zones 2 – 21 and 22
 Notable: American Bureau of Shipping (ABS) Certified | International Dark Sky (IDA) Approved (Standard Model Only)

Electrical Specifications — Standard Model ①

Model	Voltage	Input Power	Input Current (Amp)	Power Factor	Total Harmonic Distortion (THD)
MLGL3	120 Vac	30	0.26	> 0.9	< 20%
	277 Vac	30	0.12		
	170 Vdc	30	0.18	N/A	N/A
	300 Vdc	31	0.10		
	347 Vac	33	0.10		
MLGL5	480 Vac	33	0.07	> 0.9	< 20%
	120 Vac	46	0.39	> 0.9	< 20%
	277 Vac	46	0.17		
	170 Vdc	46	0.27	N/A	N/A
	300 Vdc	46	0.16		
347 Vac	49	0.14			
MLGL7	480 Vac	49	0.11	> 0.9	< 20%
	120 Vac	57	0.48	> 0.9	< 20%
	277 Vac	57	0.23		
	170 Vdc	57	0.34	N/A	N/A
	300 Vdc	57	0.19		
347 Vac	60	0.18			
MLGL9/MLGH9	480 Vac	60	0.14	> 0.9	< 20%
	120 Vac	75	0.64	> 0.9	< 20%
	277 Vac	75	0.29		
	170 Vdc	75	0.45	N/A	N/A
	300 Vdc	75	0.25		
347 Vac	79	0.23			
MLGH1	480 Vac	79	0.17	> 0.9	< 20%
	120 Vac	93	0.79	> 0.9	< 20%
	277 Vac	93	0.35		
	170 Vdc	93	0.55	N/A	N/A
	300 Vdc	93	0.31		
347 Vac	97	0.28			
MLGH3	480 Vac	97	0.21	> 0.9	< 20%
	120 Vac	115	0.99	> 0.9	< 20%
	277 Vac	115	0.44		
	170 Vdc	115	0.68	N/A	N/A
	300 Vdc	115	0.38		
347 Vac	118	0.34			
MLGH6	480 Vac	118	0.25	> 0.9	< 20%
	120 Vac	145	1.24	> 0.9	< 20%
	277 Vac	145	0.54		
	170 Vdc	145	0.86	N/A	N/A
	300 Vdc	145	0.48		
347 Vac	145	0.42			
MLGX1	480 Vac	145	0.31	> 0.9	< 20%
	120 Vac	169	1.43	> 0.9	< 20%
	277 Vac	165	0.63		
	170 Vdc	169	1.30	N/A	N/A
	300 Vdc	166	0.64		
347 Vac	171	0.50			
MLGX5	480 Vac	170	0.37	> 0.9	< 20%
	120 Vac	210	1.79	> 0.9	< 20%
	277 Vac	204	0.82		
	170 Vdc	209	1.60	N/A	N/A
	300 Vdc	203	0.76		
347 Vac	209	0.61			
	480 Vac	209	0.45	> 0.9	< 20%

① All values are typical (tolerance +/-10%).

Mercmaster™ LED Generation 3 Series Luminaires

With Emergency Battery Backup

Enclosed and Gasketed Fixtures — Hazardous Locations

NEC/CEC Standard Model: Class I, Division 2, Groups A, B, C, D | Class II, Division 1 and 2, Group E, F, G | Class III | Class I, Zone 2 AEx ec IIC | Zone 21 AEx tb IIIC | Class I, Zone 2 Ex ec II | Zone 21 Ex tb IIIC | Type 3R, 4, 4X | IP66 | IP67 | Simultaneous Exposure | Suitable for Use in Wet Locations | Marine Outside Type (Salt Water)
 NEC/CEC Emergency Battery Backup Model: Class I, Division 2, Groups A, B, C, D | Class II, Division 1 and 2, Group E, F, G | Class III | Class I, Zone 2 IIC | Zone 20 IIIC | Type 3R, 4, 4X | IP66 | IP67 | Simultaneous Exposure | Suitable for Use in Wet Locations
 Notable: American Bureau of Shipping (ABS) Certified

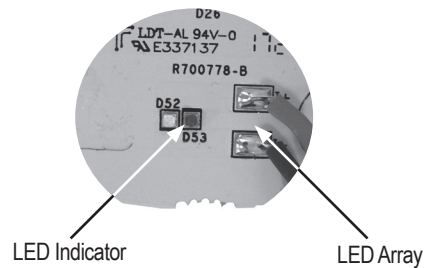
Electrical Specifications — Emergency Battery Backup Model ①

Model	Voltage	Input Power (Watts)	Input Current (Amp)	Power Factor (PF)	Total Harmonic Distortion (THD)
MLGL3	120 Vac	30	0.26	> 0.9	< 20%
	277 Vac	30	0.12		
MLGL5	120 Vac	46	0.39	> 0.9	< 20%
	277 Vac	46	0.17		

Automatic Testing System (ATS) — Emergency Battery Backup Model — Functionality

Functional	Full Duration
Starts within 24 to 45 hours after the initial powerup of the module	Starts within 5 to 26 days after the initial power of the module
Occurs every 14 days after the initial aforementioned functional test	Occurs every 364 days after the initial aforementioned functional test
Lasts for 30 seconds	Lasts for the full duration of the rated emergency period

At the completion of functional and full duration tests, LED indicator will display the status of the emergency luminaire when AC is present



LED Signals

Indicator Color	Timing	Description
Green	1 sec ON: 1 sec OFF	Normal charging ok, Battery not yet fully charged, No fault detected, Testing ok
Green	0.25 sec ON: 0.25 sec OFF	Functional / Duration Self-Test on-going
Green	Steady ON	Charging ok, Battery fully charged, No fault detected, Testing ok
Red	1 sec ON: 1 sec OFF	Fault condition. Installation issue. Battery is reverse, not connected or shorted. Functional test failure, full duration test failure
LED Indicators OFF, LED Array ON	LED Indicator Lights (Red and Green) OFF	No AC, Emergency mode ON

① All values are typical (tolerance +/-10%).

Mercmaster™ LED Generation 3 Series Luminaires

Standard

Enclosed and Gasketed Fixtures — Hazardous Locations

NEC/CEC Standard Model: Class I, Division 2, Groups A, B, C, D | Class II, Division 1 and 2, Group E, F, G | Class III | Class I, Zone 2 AEx ec IIC | Zone 21 AEx tb IIIC | Class I, Zone 2 Ex ec II | Zone 21 Ex tb IIIC | Type 3R, 4, 4X | IP66 | IP67 | Simultaneous Exposure | Suitable for Use in Wet Locations | Marine Outside Type (Salt Water)
 NEC/CEC Emergency Battery Backup Model: Class I, Division 2, Groups A, B, C, D | Class II, Division 1 and 2, Group E, F, G | Class III | Class I, Zone 2 IIC | Zone 20 IIIC | Type 3R, 4, 4X | IP66 | IP67 | Simultaneous Exposure | Suitable for Use in Wet Locations
 ATEX/IECEx Standard Model: Zones 2 – 21 and 22
 Notable: American Bureau of Shipping (ABS) Certified | International Dark Sky (IDA) Approved (Standard Model Only)

NEC/CEC Temperature Codes — Standard Model ①

Model ②	Ambient Temperature °C (°F)	Supply wire Temperature °C (°F)	Class I, Division 2 Groups A, B, C, D	Class I, Zone 2 Group IIC	Class II, Division 1 Groups E, F, G	Zone 21, Group IIIC	Class I, Division 2 and Class II, Division 1
MLGL3	40 (104)	90 (194)	T4A	T4	T6	T6	T4A
	55 (131)		T4A	T4	T5	T5	T4A
	65 (149)		T4	T4	T5	T5	T4
MLGL3 - A	75 (167)	90 (194)	T4	T4	T4A	T4	T3C
	40 (104)	90 (194)	T4A	T4	T6	T6	T4A
55 (131)	T4		T4	T5	T5	T4	
65 (149)	T3C		T3	T5	T5	T3C	
MLGL5 - A	75 (167)	90 (194)	T3C	T3	T4A	T4	T3C
	40 (104)	90 (194)	T4A	T4	T6	T6	T4A
55 (131)	T4A		T4	T5	T6	T4	
65 (149)	T4		T4	T5	T6	T3C	
MLGL7 - A	70 (158)	90 (194)	T4	T4	T5	T5	T3C
	75 (167)		T4	T4	T4A	T4	T3C
40 (104)	90 (194)		T4A	T4	T6	T6	T4A
55 (131)		T4	T4	T5	T5	T4	
65 (149)		T4	T4	T5	T5	T4	
MLGL9 - A	70 (158)	90 (194)	T3C	T3	T5	T6	T3C
	70 (158)	90 (194)	T3C	T3	T5	T6	T3C
MLGH1	40 (104)	90 (194)	T3C	T3	T6	T6	T3C
	55 (131)		T3C	T3	T6	T6	T3C
	65 (149)		T3C	T3	T6	T6	T3C
MLGH1 - A	70 (158)	90 (194)	T3B	T3	T5	T5	T3B
MLGH3	40 (104)	90 (194)	T3C	T3	T6	T6	T3C
	55 (131)		T3B	T3	T6	T6	T3B
	65 (149)		T3A	T3	T6	T5	T3A
MLGH3 - A	70 (158)	90 (194)	T3A	T3	T5	T5	T3A
MLGH6	40 (104)	90 (194)	T3A	T3	T6	T6	T3A
	55 (131)		T3A	T3	T6	T6	T3A
	65 (149)		T3	T3	T5	T5	T3
MLGX1	40 (104)	90 (194)	T3C	T3	T6	T6	T3C
	60 (140)		T3A	T3	T5	T5	T3A
MLGX5	40 (104)	90 (194)	T3B	T3	T6	T6	T3B
	55 (131)		T3A	T3	T5	T5	T3A

NEC/CEC — “T” Numbers Represent the Maximum Internal Temperature or Maximum Surface Temperature ③④

“T” #	T1	350	325	T2	T2A	T2B	T2C	T2D	T3	T3A	T3B	T3C	T4	T4A	T5	T6
Temp. Range °C (°F)	+351 to +450 (+664 to +842)	+326 to +350 (+619 to +662)	+301 to +325 (+574 to +617)	+281 to +300 (+538 to +572)	+261 to +280 (+502 to +536)	+231 to +260 (+448 to +500)	+216 to +230 (+421 to +446)	+201 to +215 (+394 to +419)	+181 to +200 (+358 to +392)	+166 to +180 (+331 to +356)	+161 to +165 (+322 to +329)	+136 to +160 (+277 to +320)	+121 to +135 (+250 to +275)	+101 to +120 (+214 to +248)	+86 to +100 (+187 to +212)	+85 (+185)

① Ambient Temperature Range: -40 °C to +65 °C (-40 °F to +149 °F).

② -A suffix denotes High Ambient rating.

③ T numbers represent the maximum internal temperature for Class I, Division 2 and Class I, Zone 2 locations designated by the NEC.

④ T numbers represent the maximum surface temperature under a dust blanket for Class II, Division 1 and Class I, Zone 2 as designated by the NEC or Zone 2 (Gas) and 22 (Dust) locations as designated by the IEC.

Mercmaster™ LED Generation 3 Series Luminaires

Standard

Enclosed and Gasketed Fixtures — Hazardous Locations

NEC/CEC Standard Model: Class I, Division 2, Groups A, B, C, D | Class II, Division 1 and 2, Group E, F, G | Class III | Class I, Zone 2 AEx ec IIC | Zone 21 AEx tb IIIC | Class I, Zone 2 Ex ec II | Zone 21 Ex tb IIIC | Type 3R, 4, 4X | IP66 | IP67 | Simultaneous Exposure | Suitable for Use in Wet Locations | Marine Outside Type (Salt Water)
 NEC/CEC Emergency Battery Backup Model: Class I, Division 2, Groups A, B, C, D | Class II, Division 1 and 2, Group E, F, G | Class III | Class I, Zone 2 IIC | Zone 20 IIIC | Type 3R, 4, 4X | IP66 | IP67 | Simultaneous Exposure | Suitable for Use in Wet Locations
 ATEX/IECEx Standard Model: Zones 2 – 21 and 22
 Notable: American Bureau of Shipping (ABS) Certified | International Dark Sky (IDA) Approved (Standard Model Only)

ATEX/IECEx Temperature Codes — Standard Model ①

Model ②	Ambient Temperature °C (°F)	T-Code for Zone 2	T-Code for Zone 21/22
MLGL3	40 (104)	T4	T81°C
	55 (131)	T4	T88°C
	65 (149)	T4	T94°C
MLGL5	40 (104)	T4	T81°C
	55 (131)	T4	T88°C
	65 (149)	T3	T94°C
MLGL7	40 (104)	T4	T81°C
	55 (131)	T4	T88°C
	65 (149)	T4	T94°C
MLGL7-A	70 (158)	T4	T99°C
MLGL9	40 (104)	T4	T81°C
	55 (131)	T4	T88°C
	65 (149)	T4	T94°C
MLGH9-A	70 (158)	T3	T88°C
MLGH1	40 (104)	T3	T64°C
	55 (131)	T3	T77°C
	65 (149)	T3	T83°C
MLGH1 - A	70 (158)	T3	T88°C
MLGH3	40 (104)	T3	T66°C
	55 (131)	T3	T79°C
	65 (149)	T3	T86°C
MLGH6	40 (104)	T3	T71°C
	55 (131)	T3	T84°C
	65 (149)	T3	T95°C
MLGX1	40 (104)	T3	T82°C
	60 (140)	T3	T102°C
MLGX5	40 (104)	T3	T92°C
	55 (131)	T3	T104°C

ATEX/IECEx — “T” Numbers Represent the Maximum Internal Temperature or Maximum Surface Temperature

“T” #	T1	T2	T3	T4	T5	T6
Temp. Range °C (°F)	+301 to +450 (+547 to +842)	+201 to +300 (+394 to +572)	+136 to +200 (+277 to +392)	+101 to +135 (+214 to +275)	+86 to +100 (+187 to +212)	+85 (+185)

① For 125-170 Vdc, operating Temp. range is -40°C to +55 °C (For IECEx/ATEX only). NEC/CEC operating temp remains -40°C to +65°C (-40 °F to +149 °F) for full Vdc range.

② -A suffix denotes High Ambient rating.

Mercmaster™ LED Generation 3 Series Luminaires

With Emergency Battery Backup

Enclosed and Gasketed Fixtures — Hazardous Locations

NEC/CEC Standard Model: Class I, Division 2, Groups A, B, C, D | Class II, Division 1 and 2, Group E, F, G | Class III | Class I, Zone 2 AEx ec IIC | Zone 21 AEx tb IIIC | Class I, Zone 2 Ex ec II | Zone 21 Ex tb IIIC | Type 3R, 4, 4X | IP66 | IP67 | Simultaneous Exposure | Suitable for Use in Wet Locations | Marine Outside Type (Salt Water)
 NEC/CEC Emergency Battery Backup Model: Class I, Division 2, Groups A, B, C, D | Class II, Division 1 and 2, Group E, F, G | Class III | Class I, Zone 2 IIC | Zone 20 IIIC | Type 3R, 4, 4X | IP66 | IP67 | Simultaneous Exposure | Suitable for Use in Wet Locations
 Notable: American Bureau of Shipping (ABS) Certified

NEC/CEC Temperature Codes — Emergency Battery Backup Model ①

Model	Max. Ambient Temperature °C (°F)	Min. Supply Wire °C (°F)	Class I Division 2, Groups A, B, C, D	Class I, Zone 2, Group IIC	Class II, Division 1, Groups E, F and G	Zone 21, Group IIIC	Class I, Division 2, Class II, Division 1
MLGL3	40 (104)	90 (194)	T5	T5	T6	T6	T5
	55 (131)		T5	T5	T6	T6	T5
MLGL5	40 (104)	90 (194)	T5	T5	T6	T6	T4A
	55 (131)		T5	T5	T6	T6	T4A

NEC/CEC — “T” Numbers Represent the Maximum Internal Temperature or Maximum Surface Temperature ①②

“T” #	T1	350	325	T2	T2A	T2B	T2C	T2D	T3	T3A	T3B	T3C	T4	T4A	T5	T6
Temp. Range °C (°F)	+351 to +450 (+664 to +842)	+326 to +350 (+619 to +662)	+301 to +325 (+574 to +617)	+281 to +300 (+538 to +572)	+261 to +280 (+502 to +536)	+231 to +260 (+448 to +500)	+216 to +230 (+421 to +446)	+201 to +215 (+394 to +419)	+181 to +200 (+358 to +392)	+166 to +180 (+331 to +356)	+161 to +165 (+322 to +329)	+136 to +160 (+277 to +320)	+121 to +135 (+250 to +275)	+101 to +120 (+214 to +248)	+86 to +100 (+187 to +212)	+85 (+185)

① Ambient Temperature Range: -40 °C to +65 °C (-40 °F to +149 °F).

② T numbers represent the maximum internal temperature for Class I, Division 2 and Class I, Zone 2 locations designated by the NEC.

③ T numbers represent the maximum surface temperature under a dust blanket for Class II, Division 1 and Class I, Zone 2 as designated by the NEC or Zone 2 (Gas) and 22 (Dust) locations as designated by the IEC.

Mercmaster™ LED Generation 3 Series Luminaires

Standard

Enclosed and Gasketed Fixtures — Hazardous Locations

NEC/CEC Standard Model: Class I, Division 2, Groups A, B, C, D | Class II, Division 1 and 2, Group E, F, G | Class III | Class I, Zone 2 AEx ec IIC | Zone 21 AEx tb IIIC | Class I, Zone 2 Ex ec II | Zone 21 Ex tb IIIC | Type 3R, 4, 4X | IP66 | IP67 | Simultaneous Exposure | Suitable for Use in Wet Locations | Marine Outside Type (Salt Water)
 NEC/CEC Emergency Battery Backup Model: Class I, Division 2, Groups A, B, C, D | Class II, Division 1 and 2, Group E, F, G | Class III | Class I, Zone 2 IIC | Zone 20 IIIC | Type 3R, 4, 4X | IP66 | IP67 | Simultaneous Exposure | Suitable for Use in Wet Locations
 ATEX/IECEx Standard Model: Zones 2 – 21 and 22
 Notable: American Bureau of Shipping (ABS) Certified | International Dark Sky (IDA) Approved (Standard Model Only)

Catalog Number for Driver Housing and Globe or Refractor — Standard Model

Lumen Level	CCT	Optics	Clear Polycarbonate Globe ①②③④⑤	Polycarbonate Diffused Globe ①②③④⑤	Clear Glass Globe ①②③④⑤	Refractor ①②③④⑤
3500	5000K	Type I	MLGL3CP1	MLGL3CD1	MLGL3CG1	—
		Type III	MLGL3CP3	MLGL3CD3	MLGL3CG3	—
		Type V	MLGL3CP5	MLGL3CD5	MLGL3CG5	MLGL3CJ5
		Type V Wide	MLGL3CPW	MLGL3CDW	MLGL3CGW	—
5500	5000K	Type I	MLGL5CP1	MLGL5CD1	MLGL5CG1	—
		Type III	MLGL5CP3	MLGL5CD3	MLGL5CG3	—
		Type V	MLGL5CP5	MLGL5CD5	MLGL5CG5	MLGL5CJ5
		Type V Wide	MLGL5CPW	MLGL5CDW	MLGL5CGW	—
7500	5000K	Type I	MLGL7CP1	MLGL7CD1	MLGL7CG1	—
		Type III	MLGL7CP3	MLGL7CD3	MLGL7CG3	—
		Type V	MLGL7CP5	MLGL7CD5	MLGL7CG5	MLGL7CJ5
		Type V Wide	MLGL7CPW	MLGL7CDW	MLGL7CGW	—
9500 ⑥	5000K	Type I	MLGL9CP1/MLGH9CP1	MLGL9CD1/MLGH9CD1	MLGL9CG1/MLGH9CG1	—
		Type III	MLGL9CP3/MLGH9CP3	MLGL9CD3/MLGH9CD3	MLGL9CG3/MLGH9CG3	—
		Type V	MLGL9CP5/MLGH9CP5	MLGL9CD5/MLGH9CD5	MLGL9CG5/MLGH9CG5	MLGL9CJ5/MLGH9CJ5
		Type V Wide	MLGL9CPW/MLGH9CPW	MLGL9CDW/MLGH9CDW	MLGL9CGW/MLGH9CGW	—
11,500	5000K	Type I	MLGH1CP1	MLGH1CD1	MLGH1CG1	—
		Type III	MLGH1CP3	MLGH1CD3	MLGH1CG3	—
		Type V	MLGH1CP5	MLGH1CD5	MLGH1CG5	MLGH1CJ5
		Type V Wide	MLGH1CPW	MLGH1CDW	MLGH1CGW	—
14,500	5000K	Type I	MLGH3CP1	MLGH3CD1	MLGH3CG1	—
		Type III	MLGH3CP3	MLGH3CD3	MLGH3CG3	—
		Type V	MLGH3CP5	MLGH3CD5	MLGH3CG5	MLGH3CJ5
		Type V Wide	MLGH3CPW	MLGH3CDW	MLGH3CGW	—
17,500	5000K	Type I	MLGH6CP1	MLGH6CD1	MLGH6CG1	—
		Type III	MLGH6CP3	MLGH6CD3	MLGH6CG3	—
		Type V	MLGH6CP5	MLGH6CD5	MLGH6CG5	MLGH6CJ5
		Type V Wide	MLGH6CPW	MLGH6CDW	MLGH6CGW	—
20,000	5000K	Type I	MLGX1CP1	MLGX1CD1	MLGX1CG1	—
		Type III	MLGX1CP3	MLGX1CD3	MLGX1CG3	—
		Type V	MLGX1CP5	MLGX1CD5	MLGX1CG5	MLGX1CJ5
		Type V Wide	MLGX1CPW	MLGX1CDW	MLGX1CGW	—
24,000	5000K	Type I	MLGX5CP1	MLGX5CD1	MLGX5CG1	—
		Type III	MLGX5CP3	MLGX5CD3	MLGX5CG3	—
		Type V	MLGX5CP5	MLGX5CD5	MLGX5CG5	MLGX5CJ5
		Type V Wide	MLGX5CPW	MLGX5CDW	MLGX5CGW	—

① For 120-277 Vac, 50/60 Hz, add suffix **-BU** to catalog number. For 347-480 Vac, 50/60 Hz, add suffix **-BH** to catalog number.

② For other CCT options, change the 7th digit in part number from "C" to "W" for Warm 3000K CCT or "N" for Neutral 4000K CCT. Example: MLGL7CP5BU to "W" for Warm, MLGL7WP5BU.

③ Guards are available for fixtures with globe or refractor. See following pages for accessory ordering information.

④ For fusing add "F" to end of catalog number. Example: MLGL7CP5BUF.

⑤ Use of fuse voids Marine Outside Type (Salt Water) rating. Only available for cCSAus rating. For additional 10 kV of surge, add "S" to the end of catalog number. Example: MLGH6CD5BUS.

⑥ MLGH9 only available with certified High Ambient option (-A).

Mercmaster™ LED Generation 3 Series Luminaires

With Emergency Battery Backup

Enclosed and Gasketed Fixtures — Hazardous Locations

NEC/CEC Standard Model: Class I, Division 2, Groups A, B, C, D | Class II, Division 1 and 2, Group E, F, G | Class III | Class I, Zone 2 AEx ec IIC | Zone 21 AEx tb IIIC | Class I, Zone 2 Ex ec II | Zone 21 Ex tb IIIC | Type 3R, 4, 4X | IP66 | IP67 | Simultaneous Exposure | Suitable for Use in Wet Locations | Marine Outside Type (Salt Water)
 NEC/CEC Emergency Battery Backup Model: Class I, Division 2, Groups A, B, C, D | Class II, Division 1 and 2, Group E, F, G | Class III | Class I, Zone 2 IIC | Zone 20 IIIC | Type 3R, 4, 4X | IP66 | IP67 | Simultaneous Exposure | Suitable for Use in Wet Locations
 Notable: American Bureau of Shipping (ABS) Certified

Catalog Number for Driver Housing and Globe — Emergency Battery Backup Model

Lumen Level	CCT	Optics	Clear Polycarbonate Globe ①②		Polycarbonate Diffused Globe ①②		Clear Glass Globe ①②	
			90 Min	180 Min	90 Min	180 Min	90 Min	180 Min
3500	5000K	Type I	MLGL3CP1BUH	MLGL3CP1BUE	MLGL3CD1BUH	MLGL3CD1BUE	MLGL3CG1BUH	MLGL3CG1BUE
		Type III	MLGL3CP3BUH	MLGL3CP3BUE	MLGL3CD3BUH	MLGL3CD3BUE	MLGL3CG3BUH	MLGL3CG3BUE
		Type V	MLGL3CP5BUH	MLGL3CP5BUE	MLGL3CD5BUH	MLGL3CD5BUE	MLGL3CG5BUH	MLGL3CG5BUE
		Type V Wide	MLGL3CPWBUH	MLGL3CPWBUE	MLGL3CDWBUH	MLGL3CDWBUE	MLGL3CGWBUH	MLGL3CGWBUE
5500	5000K	Type I	MLGL5CP1BUH	MLGL5CP1BUE	MLGL5CD1BUH	MLGL5CD1BUE	MLGL5CG1BUH	MLGL5CG1BUE
		Type III	MLGL5CP3BUH	MLGL5CP3BUE	MLGL5CD3BUH	MLGL5CD3BUE	MLGL5CG3BUH	MLGL5CG3BUE
		Type V	MLGL5CP5BUH	MLGL5CP5BUE	MLGL5CD5BUH	MLGL5CD5BUE	MLGL5CG5BUH	MLGL5CG5BUE
		Type V Wide	MLGL5CPWBUH	MLGL5CPWBUE	MLGL5CDWBUH	MLGL5CDWBUE	MLGL5CGWBUH	MLGL5CGWBUE

① For other CCT options, change the 7th digit in part number from "C" to "W" for Warm 3000K CCT or "N" for Neutral 4000K CCT. Example: MLGL7CP5BUH to "W" for Warm, MLGL7WP5BUH.









② Guards are available. See following pages for accessory ordering information.

Mercmaster™ LED Generation 3 Series Luminaires

Standard or with Emergency Battery Backup
Enclosed and Gasketed Fixtures — Hazardous Locations

NEC/CEC Standard Model: Class I, Division 2, Groups A, B, C, D | Class II, Division 1 and 2, Group E, F, G | Class III | Class I, Zone 2 AEx ec IIC | Zone 21 AEx tb IIIC | Class I, Zone 2 Ex ec II | Zone 21 Ex tb IIIC | Type 3R, 4, 4X | IP66 | IP67 | Simultaneous Exposure | Suitable for Use in Wet Locations | Marine Outside Type (Salt Water)
NEC/CEC Emergency Battery Backup Model: Class I, Division 2, Groups A, B, C, D | Class II, Division 1 and 2, Group E, F, G | Class III | Class I, Zone 2 IIC | Zone 20 IIIC | Type 3R, 4, 4X | IP66 | IP67 | Simultaneous Exposure | Suitable for Use in Wet Locations
ATEX/IECEx Standard Model: Zones 2 – 21 and 22
Notable: American Bureau of Shipping (ABS) Certified | International Dark Sky (IDA) Approved (Standard Model Only)

Mounting Hoods — All Models








	Hub Size	Weight in kg (lbs)	Catalog Number
Pendant — One Hub, Rigid Mounting			
	3/4" NPT	1.0 (2.3)	KPA-75
	1" NPT		KPA-100
	M20		KPA-M20
Watertight Pendant Hood — One Hub, Rigid Mounting			
	3/4" NPT	1.1 (2.4)	KPA-75-WT
	1" NPT		KPA-100-WT
	M20		KPA-WT-M20
Pendant Cone — One Hub, Rigid Mounting			
	3/4" NPT	1.1 (2.5)	KPCH-75
	1" NPT		KPCH-100
	M20		KPCH-M20
Trunnion — Five Hubs, Four Close-Up Plugs			
	3/4" NPT	6.1 (13.4)	KPCT-75
	1" NPT		KPCT-100
	M20		KPCT-M20
Ceiling — Five Hubs, Four Close-Up Plugs			
	3/4" NPT	1.4 (3.0)	KPC-75
	1" NPT		KPC-100
	M20		KPC-M20
Wall — Five Hubs, Four Close-Up Plugs			
	3/4" NPT	1.8 (4.0)	KPWB-75
	1" NPT		KPWB-100
	M20		KPWB-M20
25° Stanchion — One Hub			
	1-1/4" NPT	1.5 (3.3)	KPS-125
	1-1/2" NPT		KPS-150
90° Stanchion — One Hub			
	1-1/4" NPT	1.7 (3.8)	KPST-125
	1-1/2" NPT		KPST-150

Mercmaster™ LED Generation 3 Series Luminaires




Standard or with Emergency Battery Backup
Enclosed and Gasketed Fixtures — Hazardous Locations

NEC/CEC Standard Model: Class I, Division 2, Groups A, B, C, D | Class II, Division 1 and 2, Group E, F, G | Class III | Class I, Zone 2 AEx ec IIC | Zone 21 AEx tb IIIC | Class I, Zone 2 Ex ec II | Zone 21 Ex tb IIIC | Type 3R, 4, 4X | IP66 | IP67 | Simultaneous Exposure | Suitable for Use in Wet Locations | Marine Outside Type (Salt Water)
NEC/CEC Emergency Battery Backup Model: Class I, Division 2, Groups A, B, C, D | Class II, Division 1 and 2, Group E, F, G | Class III | Class I, Zone 2 IIC | Zone 20 IIIC | Type 3R, 4, 4X | IP66 | IP67 | Simultaneous Exposure | Suitable for Use in Wet Locations
ATEX/IECEx Standard Model: Zones 2 – 21 and 22
Notable: American Bureau of Shipping (ABS) Certified | International Dark Sky (IDA) Approved (Standard Model Only)

Accessories and Replacement Parts — All Models

	Description	Weight in kg (lbs)	Catalog Number
Globes			
	Clear Globe — Polycarbonate	0.2 (0.5)	VPGL-LED
	Diffused Globe — Polycarbonate	0.2 (0.5)	VPGL-DIFF
	Clear Globe — Glass	0.8 (1.7)	VPGL-GLASS
Guard			
	Globe Guard	0.2 (0.4)	MGU1
Safety Cable			
	Stainless steel	0.2 (0.4)	LEDSC
Visor			
	Electrostatically applied gray epoxy powder coat finish on Aluminum Visor	0.4 (0.9)	MMVISOR
Drain Plug			
	76 mm (3") long, 1/2" NPT trade size drain assembly used to divert water existing in the conduit system	0.4 (0.9)	LEDDR3

Mounting Hood Adapters — All Models ①

	Manufacturer	Installed Mounting Hood	Weight in kg (lbs)	Appleton Adapter Catalog Number
	Crouse-Hinds™ Champ® +	Pendant: APM2/3 Ceiling: CM2/3 Flexible Pendant: HPM2	0.9 (2.00)	MMADCHVS
	Appleton™ Mercmaster™ II	Pendant: LPA75/100 Ceiling: LPC75/100	0.9 (2.00)	MMADIIS
	Crouse-Hinds™ Champ® +	Wall: TWM2/3 25° Angle Stanchion: JM5 90° Angle Stanchion: PM5	0.9 (2.00)	MMADCHVA
	Appleton™ Mercmaster™ II	Wall: LPWB75, LPWB100 25° Angle Stanchion: LPS125, LPS150	0.9 (2.00)	MMADIIA
	Killark™ ✦	Ceiling: VMX2B, VMX3B, VMX6B, VMX7B, VMX9B Pendant: VMA2B, VMA3B Stanchion: VMD4B, VMD5B, VMS4B, VMS5B Wall: VMB2B, VMB3B Pendant Cone: VMC2B, VMC3B	1.0 (2.3)	MMADKVA

① Adapters are cCSAus rated only.

✦ Killark is a registered trademark of Hubbell Incorporated.

+ Crouse-Hinds and Champ are registered trademarks of Cooper Industries, Inc., a wholly owned subsidiary of the Eaton Corporation plc.

Mercmaster™ LED Generation 3 Series Luminaires

Standard

Enclosed and Gasketed Fixtures — Hazardous Locations

NEC/CEC Standard Model: Class I, Division 2, Groups A, B, C, D | Class II, Division 1 and 2, Group E, F, G | Class III | Class I, Zone 2 AEx ec IIC | Zone 21 AEx tb IIIC | Class I, Zone 2 Ex ec II | Zone 21 Ex tb IIIC | Type 3R, 4, 4X | IP66 | IP67 | Simultaneous Exposure | Suitable for Use in Wet Locations | Marine Outside Type (Salt Water)
 NEC/CEC Emergency Battery Backup Model: Class I, Division 2, Groups A, B, C, D | Class II, Division 1 and 2, Group E, F, G | Class III | Class I, Zone 2 IIC | Zone 20 IIIC | Type 3R, 4, 4X | IP66 | IP67 | Simultaneous Exposure | Suitable for Use in Wet Locations
 ATEX/IECEx Standard Model: Zones 2 – 21 and 22
 Notable: American Bureau of Shipping (ABS) Certified | International Dark Sky (IDA) Approved (Standard Model Only)

Accessories and Replacement Parts — Standard Model

Light Distribution	Weight in kg (lbs)	Catalog Number
--------------------	--------------------	----------------

Prismatic Glass Refractor — All Heat-Resistant ①



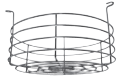
Short Prismatic Glass Refractor — NEMA Type V

1.4 (3.0)

LPG-R5S

Description	Catalog Number
-------------	----------------

Guards



Short Refractor Guard for LPG-R5S

0.3 (0.7)

KRG2S

Model	Voltage	Driver Wattage	Constant Current Settings	Catalog Number
-------	---------	----------------	---------------------------	----------------

Replacement Drivers



MLGL3

BU

50 Watt

500mA

APMS050C135UD50

BH

500mA

APMS050C135HD50

MLGL5

BU

50 Watt

780mA

APMS050C135UD78

BH

780mA

APMS050C135HD78

MLGL7

BU

100 Watt

360mA

APMS100C105UD36

BH

360mA

APMS100C105HD36

MLGL9 / MLGH9

BU

100 Watt

480mA

APMS100C105UD48

BH

480mA

APMS100C105HD48

MLGH1

BU

100 Watt

595mA

APMS100C105UD59

BH

595mA

APMS100C105HD59

MLGH3

BU

150 Watt

720mA

APMS150C105UD72

BH

720mA

APMS150C105HD72

MLGH6

BU

150 Watt

900mA

APMS150C105UD90

BH

900mA

APMS150C105HD90

MLGX1

BU

2 x 100 Watt

520mA

APMS100C105UD52

BH

520mA

APMS100C105HD52

MLGX5

BU

2 x 150 Watt

650mA

APMS150C105UD65

BH

650mA

APMS100C105HD65

① Glass Prismatic Refractor is cCSAus rated only.




Mercmaster™ LED Generation 3 Series Luminaires

With Emergency Battery Backup

Enclosed and Gasketed Fixtures — Hazardous Locations

NEC/CEC Standard Model: Class I, Division 2, Groups A, B, C, D | Class II, Division 1 and 2, Group E, F, G | Class III | Class I, Zone 2 AEx ec IIC | Zone 21 AEx tb IIIC | Class I, Zone 2 Ex ec II | Zone 21 Ex tb IIIC | Type 3R, 4, 4X | IP66 | IP67 | Simultaneous Exposure | Suitable for Use in Wet Locations | Marine Outside Type (Salt Water)
 NEC/CEC Emergency Battery Backup Model: Class I, Division 2, Groups A, B, C, D | Class II, Division 1 and 2, Group E, F, G | Class III | Class I, Zone 2 IIC | Zone 20 IIIC | Type 3R, 4, 4X | IP66 | IP67 | Simultaneous Exposure | Suitable for Use in Wet Locations
 Notable: American Bureau of Shipping (ABS) Certified

Accessories and Replacement Parts — Emergency Battery Backup Model

Description		Weight in kg (lbs)	Catalog Number		
	Replacement Battery Pack	0.7 (1.5)	BPMLLED		
	Replacement Battery Management Module	0.7 (1.5)	BMMLLED		
Replacement Fuse (Emergency system)		0.2 (0.4)	MLF5		
Model	Voltage	Driver Wattage	Constant Current Settings	Catalog Number	
Replacement Drivers					
	MLGL3	BU	50 Watt	500mA	APMS050C135UD50
		BH		500mA	APMS050C135HD50
	MLGL5	BU	50 Watt	780mA	APMS050C135UD78
		BH		780mA	APMS050C135HD78

Mercmaster™ LED Generation 3 Series Luminaires

Standard or with Emergency Battery Backup

Enclosed and Gasketed Fixtures — Hazardous Locations

NEC/CEC Standard Model: Class I, Division 2, Groups A, B, C, D | Class II, Division 1 and 2, Group E, F, G | Class III | Class I, Zone 2 AEx ec IIC | Zone 21 AEx tb IIIC | Class I, Zone 2 Ex ec II |

Zone 21 Ex tb IIIC | Type 3R, 4, 4X | IP66 | IP67 | Simultaneous Exposure | Suitable for Use in Wet Locations | Marine Outside Type (Salt Water)

NEC/CEC Emergency Battery Backup Model: Class I, Division 2, Groups A, B, C, D | Class II, Division 1 and 2, Group E, F, G | Class III | Class I, Zone 2 IIC | Zone 20 IIIC | Type 3R, 4, 4X |

IP66 | IP67 | Simultaneous Exposure | Suitable for Use in Wet Locations

ATEX/IECEx Standard Model: Zones 2 – 21 and 22

Notable: American Bureau of Shipping (ABS) Certified | International Dark Sky (IDA) Approved (Standard Model Only)

Luminaire Weights — All Models

Model	Lumen Outputs	Weight in kg (lbs)
Standard Models		
MLGL3	3500	9.20 (20.3)
MLGL5	5500	9.20 (20.3)
MLGL7	7500	9.20 (20.3)
MLGL9	9500	9.20 (20.3)
MLGH9	9500	12.00 (26.4)
MLGH1	11,500	12.00 (26.4)
MLGH3	14,500	12.00 (26.4)
MLGH6	17,500	12.00 (26.4)
MLGX1	20,000	13.15 (29.0)
MLGX5	25,000	13.15 (29.0)
Emergency Battery Backup Models		
MLGL3H	3500	10.5 (23.2)
MLGL5H	5500	10.5 (23.2)



PCD2 Series Factory Sealed Hazardous Location Photocontrol

For Use in Class I, Division 2, Groups A, B, C, D Locations

NEC/CEC: Class I, Division 2, Groups A, B, C, D | NEMA 4X

Applications

- Encapsulated photocontrol provides automatic dusk-to-dawn lighting control in Class I, Division 2 locations.
- Typical applications include walkways, security areas and any other outdoor lighting application.
- For remote mounting in FS Boxes.

Features

- Factory sealed design eliminates the need for an explosionproof enclosure.
- Can be easily installed in the field.
- Solid state design for performance and reliability.
- Available for 120, 208, 240, or 277 volts.
- Minimum time delay: 15 seconds to eliminate nuisance tripping.
- Provided with (3) 18 AWG stranded leads 152.4 mm (6 in) in length.
- Will fit through standard 1/2" knockout.
- Supplied with two stainless screws and neoprene gasket.

Materials

- Encapsulated with epoxy sealing compound
- FS Cover: iron or aluminum

NEC/CEC Certifications and Compliances

- UL Standard: 1604 – Hazardous (Classified) Locations
- cULus Recognized photocontrol



Photocontrol in FS Cover



Photocontrol Kit for Field Installation



Mercmaster Wall Mounting Hood with Photocontrol Installed

Photocontrol Kit — Separate FS Cast Hub Device Box (Step 1) and Photocontrol in FS Cover (Step 2)

	Voltage Range	Max VA	Max VA	Max Current Amps	Photocell Catalog Number	Device Box Catalog Number	
						Iron	Aluminum

Step 1: FS Cast Hub Device Box — single gang 2.00 in. deep FS Box, with one 3/4 in. bottom hub entry — Order separately

— Connect FS Box to luminaire wiring compartment with 3/4 in. close conduit nipple or 3/4 in. 90° elbow. Purchased separately from other supplier.



N/A	N/A	N/A	N/A	—	APP-FS-1-75	APP-FS-1-75-A
-----	-----	-----	-----	---	-------------	---------------

Step 2: Photocontrol in FS Cover for installation in FS Cast Hub Device Box — Order separately

— Supplied with two stainless screws and neoprene gasket, catalog number: FS-GKR-1N



120 V, 50/60 Hz	1000	1000	8.3 Amp	FSKA-PC120D2	—	—
208 V, 50/60 Hz	1000	1000	4.8 Amp	FSKA-PC247D2	—	—
240 V, 50/60 Hz	1000	1000	4.2 Amp			
277 V, 50/60 Hz	1000	1000	3.6 Amp			

Mounting Hood with Factory Installed Photocontrol ①

Mounting Hood	Hub Size	Photocontrol Option	Catalog Number	Mounting Hood	Hub Size	Photocontrol Option	Catalog Number
Pendant	3/4" NPT	120 V	KPA75PC12D2	25° Stanchion	1-1/4" NPT stanchion	120 V	KPS125PC12D2
		208 V, 240 V, 277 V	KPA75PC24D2			208 V, 240 V, 277 V	KPS125PC24D2
	1" NPT	120 V	KPA100PC12D2		1-1/2" NPT stanchion	120 V	KPS150PC12D2
		208 V, 240 V, 277 V	KPA100PC24D2			208 V, 240 V, 277 V	KPS150PC24D2
Wall	3/4" NPT	120 V	KPWB75PC12D2	90° Stanchion	1-1/4" NPT stanchion	120 V	KPST125PC12D2
		208 V, 240 V, 277 V	KPWB75PC24D2			208 V, 240 V, 277 V	KPST125PC24D2
	1" NPT	120 V	KPWB100PC12D2		1-1/2" NPT stanchion	120 V	KPST150PC12D2
		208 V, 240 V, 277 V	KPWB100PC24D2			208 V, 240 V, 277 V	KPST150PC24D2

① Fixtures with photocontrols are cCSAus rated and available for 120-277 Vac only. The following ratings do not apply: IP, Marine Outside Type (Salt Water), Class II, NEMA. The luminaire remains suitable for wet locations. .

Mercmaster™ LED Generation 3 Series Luminaires

Standard or with Emergency Battery Backup
Enclosed and Gasketed Fixtures — Hazardous Locations

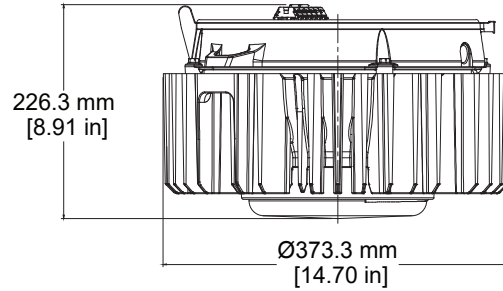
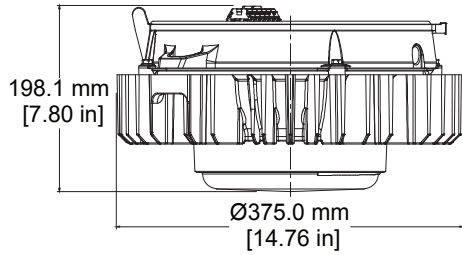
NEC/CEC Standard Model: Class I, Division 2, Groups A, B, C, D | Class II, Division 1 and 2, Group E, F, G | Class III | Class I, Zone 2 AEx ec IIC | Zone 21 AEx tb IIIC | Class I, Zone 2 Ex ec II | Zone 21 Ex tb IIIC | Type 3R, 4, 4X | IP66 | IP67 | Simultaneous Exposure | Suitable for Use in Wet Locations | Marine Outside Type (Salt Water)
NEC/CEC Emergency Battery Backup Model: Class I, Division 2, Groups A, B, C, D | Class II, Division 1 and 2, Group E, F, G | Class III | Class I, Zone 2 IIC | Zone 20 IIIC | Type 3R, 4, 4X | IP66 | IP67 | Simultaneous Exposure | Suitable for Use in Wet Locations
ATEX/IECEx Standard Model: Zones 2 – 21 and 22
Notable: American Bureau of Shipping (ABS) Certified | International Dark Sky (IDA) Approved (Standard Model Only)

Dimensional Drawings — Driver Housing with Globe

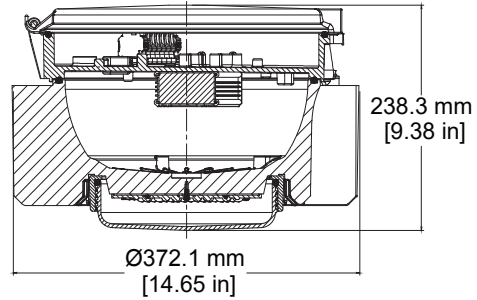
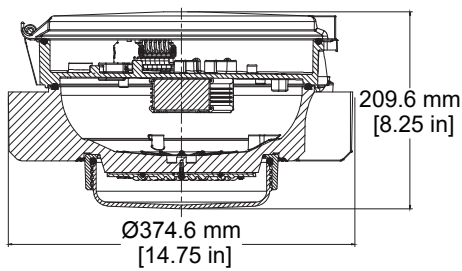
MLGL3 to MLGL9

MLGH6 to MLGH9 and MLGX1 to MLGX5

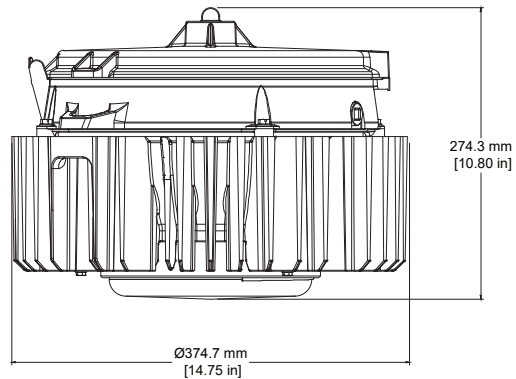
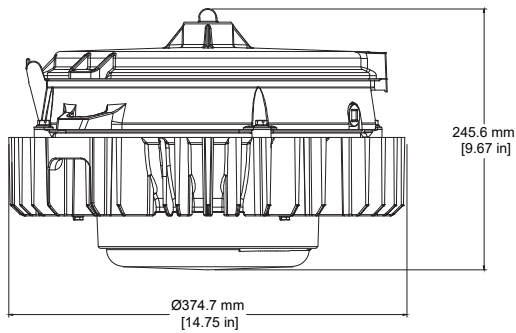
Driver Housing



Pendant



Watertight Pendant



Mercmaster™ LED Generation 3 Series Luminaires

Standard or with Emergency Battery Backup
Enclosed and Gasketed Fixtures — Hazardous Locations

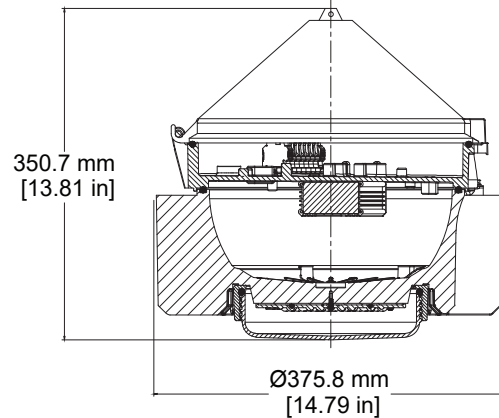
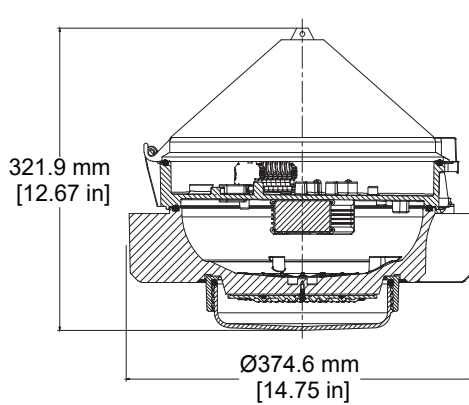
NEC/CEC Standard Model: Class I, Division 2, Groups A, B, C, D | Class II, Division 1 and 2, Group E, F, G | Class III | Class I, Zone 2 AEx ec IIC | Zone 21 AEx tb IIIC | Class I, Zone 2 Ex ec II | Zone 21 Ex tb IIIC | Type 3R, 4, 4X | IP66 | IP67 | Simultaneous Exposure | Suitable for Use in Wet Locations | Marine Outside Type (Salt Water)
NEC/CEC Emergency Battery Backup Model: Class I, Division 2, Groups A, B, C, D | Class II, Division 1 and 2, Group E, F, G | Class III | Class I, Zone 2 IIC | Zone 20 IIIC | Type 3R, 4, 4X | IP66 | IP67 | Simultaneous Exposure | Suitable for Use in Wet Locations
ATEX/IECEx Standard Model: Zones 2 – 21 and 22
Notable: American Bureau of Shipping (ABS) Certified | International Dark Sky (IDA) Approved (Standard Model Only)

Dimensional Drawings — Driver Housing with Globe

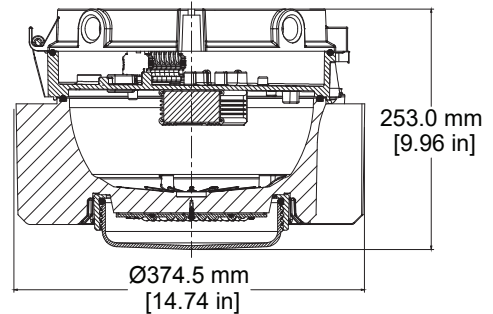
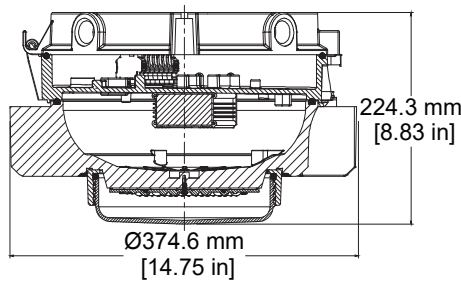
MLGL3 to MLGL9

MLGH6 to MLGH9 and MLGX1 to MLGX5

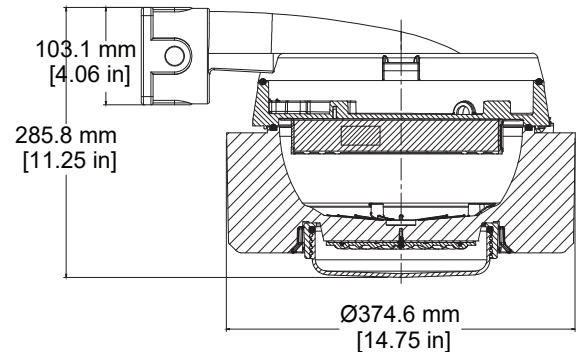
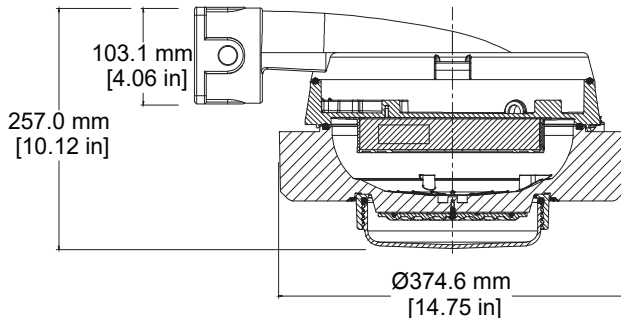
Pendant Cone



Ceiling



Wall Mount



Mercmaster™ LED Generation 3 Series Luminaires

Standard or with Emergency Battery Backup
Enclosed and Gasketed Fixtures — Hazardous Locations

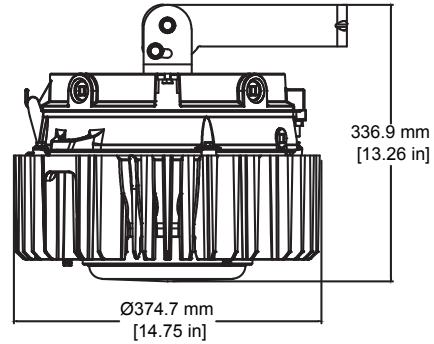
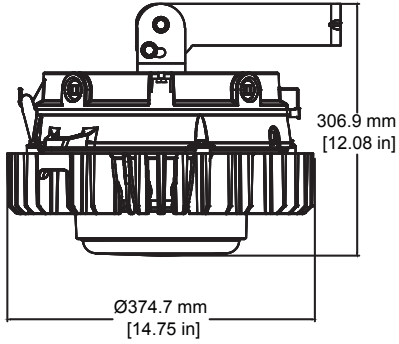
NEC/CEC Standard Model: Class I, Division 2, Groups A, B, C, D | Class II, Division 1 and 2, Group E, F, G | Class III | Class I, Zone 2 AEx ec IIC | Zone 21 AEx tb IIIC | Class I, Zone 2 Ex ec II | Zone 21 Ex tb IIIC | Type 3R, 4, 4X | IP66 | IP67 | Simultaneous Exposure | Suitable for Use in Wet Locations | Marine Outside Type (Salt Water)
NEC/CEC Emergency Battery Backup Model: Class I, Division 2, Groups A, B, C, D | Class II, Division 1 and 2, Group E, F, G | Class III | Class I, Zone 2 IIC | Zone 20 IIIC | Type 3R, 4, 4X | IP66 | IP67 | Simultaneous Exposure | Suitable for Use in Wet Locations
ATEX/IECEx Standard Model: Zones 2 – 21 and 22
Notable: American Bureau of Shipping (ABS) Certified | International Dark Sky (IDA) Approved (Standard Model Only)

Dimensional Drawings — Driver Housing with Globe

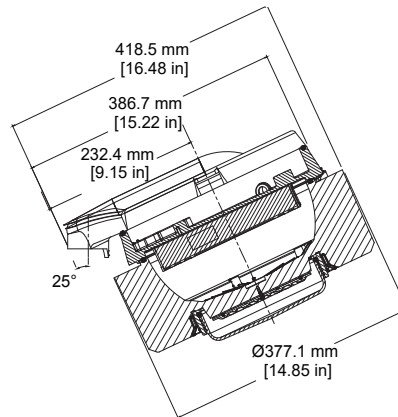
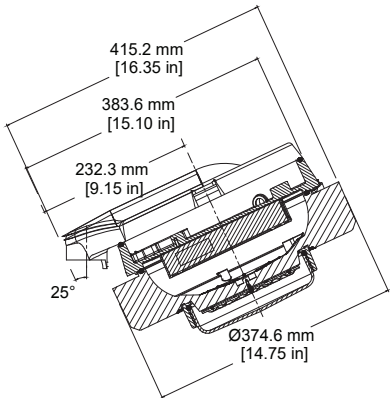
MLGL3 to MLGL9

MLGH6 to MLGH9 and MLGX1 to MLGX5

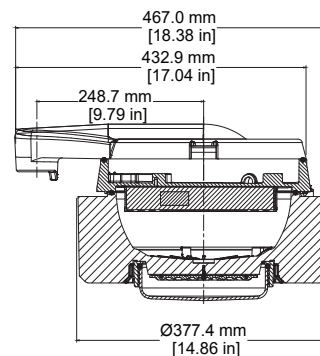
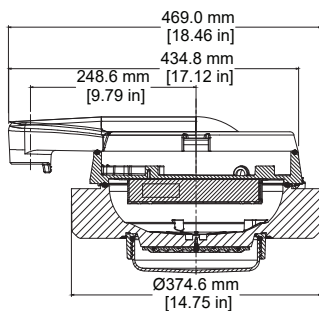
Trunnion Mount



25° Stanchion Mount



90° Stanchion Mount



Mercmaster™ LED Generation 3 Series Luminaires

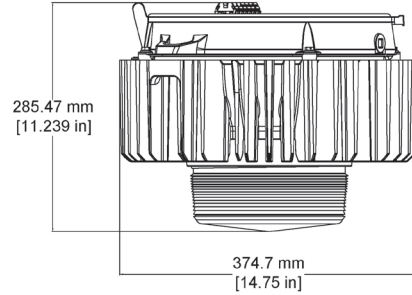
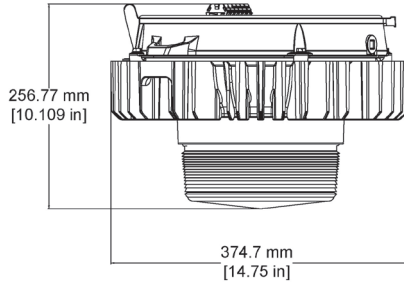
Standard or with Emergency Battery Backup
Enclosed and Gasketed Fixtures — Hazardous Locations

NEC/CEC Standard Model: Class I, Division 2, Groups A, B, C, D | Class II, Division 1 and 2, Group E, F, G | Class III | Class I, Zone 2 AEx ec IIC | Zone 21 AEx tb IIIC | Class I, Zone 2 Ex ec II | Zone 21 Ex tb IIIC | Type 3R, 4, 4X | IP66 | IP67 | Simultaneous Exposure | Suitable for Use in Wet Locations | Marine Outside Type (Salt Water)
NEC/CEC Emergency Battery Backup Model: Class I, Division 2, Groups A, B, C, D | Class II, Division 1 and 2, Group E, F, G | Class III | Class I, Zone 2 IIC | Zone 20 IIIC | Type 3R, 4, 4X | IP66 | IP67 | Simultaneous Exposure | Suitable for Use in Wet Locations
ATEX/IECEx Standard Model: Zones 2 – 21 and 22
Notable: American Bureau of Shipping (ABS) Certified | International Dark Sky (IDA) Approved (Standard Model Only)

Dimensional Drawings — Driver Housing with Short Prismatic Glass Refractor ①

MLGL3 to MLGL9

MLGH6 to MLGH9 and MLGX1 to MLGX5



① For additional configurations dimensions, review the Product Drawing configurator page on the website.

Lighting

Mercmaster™ LED Generation 3 Series Luminaires

Standard or with Emergency Battery Backup
Enclosed and Gasketed Fixtures — Hazardous Locations

NEC/CEC Standard Model: Class I, Division 2, Groups A, B, C, D | Class II, Division 1 and 2, Group E, F, G | Class III | Class I, Zone 2 AEx ec IIC | Zone 21 AEx tb IIIC | Class I, Zone 2 Ex ec II | Zone 21 Ex tb IIIC | Type 3R, 4, 4X | IP66 | IP67 | Simultaneous Exposure | Suitable for Use in Wet Locations | Marine Outside Type (Salt Water)
NEC/CEC Emergency Battery Backup Model: Class I, Division 2, Groups A, B, C, D | Class II, Division 1 and 2, Group E, F, G | Class III | Class I, Zone 2 IIC | Zone 20 IIIC | Type 3R, 4, 4X | IP66 | IP67 | Simultaneous Exposure | Suitable for Use in Wet Locations
ATEX/IECEx Standard Model: Zones 2 – 21 and 22
Notable: American Bureau of Shipping (ABS) Certified | International Dark Sky (IDA) Approved (Standard Model Only)

Photometric Data — DATA SHOWN IS ABSOLUTE

Type V, Clear Polycarbonate, 5000K CCT

REPORT NUMBER: **MLGAL33CP5**

Luminaire Lumens 3,783

POLAR CANDELA DISTRIBUTION

— Max CD - - - - - 45° H
- - - - - 0° H
- · - · - 90° H

Type V, Clear Polycarbonate, 5000K CCT

REPORT NUMBER: **MLGAL53CP5**

Luminaire Lumens 5,660

POLAR CANDELA DISTRIBUTION

— Max CD - - - - - 45° H
- - - - - 0° H
- · - · - 90° H

Type V, Clear Polycarbonate, 5000K CCT

REPORT NUMBER: **MLGAL73CP5**

Luminaire Lumens 8,524

POLAR CANDELA DISTRIBUTION

— Max CD - - - - - 45° H
- - - - - 0° H
- · - · - 90° H

Type V, Clear Polycarbonate, 5000K CCT

REPORT NUMBER: **MLGAH93CP5 / MLGAL93CP5**

Luminaire Lumens 10,845

POLAR CANDELA DISTRIBUTION

— Max CD - - - - - 45° H
- - - - - 0° H
- · - · - 90° H

Type V, Clear Polycarbonate, 5000K CCT

REPORT NUMBER: **MLGAH13CP5**

Luminaire Lumens 13,204

POLAR CANDELA DISTRIBUTION

— Max CD - - - - - 45° H
- - - - - 0° H
- · - · - 90° H

Type V, Clear Polycarbonate, 5000K CCT

REPORT NUMBER: **MLGAH33CP5**

Luminaire Lumens 15,937

POLAR CANDELA DISTRIBUTION

— Max CD - - - - - 45° H
- - - - - 0° H
- · - · - 90° H

A50

Visit our website at www.masteringled.com.
Contact us at (800) 621-1506 or +33 3 22 54 13 90. | © June 2024

APPLETON

Mercmaster™ LED Generation 3 Series Luminaires

Standard or with Emergency Battery Backup
Enclosed and Gasketed Fixtures — Hazardous Locations

NEC/CEC Standard Model: Class I, Division 2, Groups A, B, C, D | Class II, Division 1 and 2, Group E, F, G | Class III | Class I, Zone 2 AEx ec IIC | Zone 21 AEx tb IIIC | Class I, Zone 2 Ex ec II | Zone 21 Ex tb IIIC | Type 3R, 4, 4X | IP66 | IP67 | Simultaneous Exposure | Suitable for Use in Wet Locations | Marine Outside Type (Salt Water)
NEC/CEC Emergency Battery Backup Model: Class I, Division 2, Groups A, B, C, D | Class II, Division 1 and 2, Group E, F, G | Class III | Class I, Zone 2 IIC | Zone 20 IIIC | Type 3R, 4, 4X | IP66 | IP67 | Simultaneous Exposure | Suitable for Use in Wet Locations
ATEX/IECEx Standard Model: Zones 2 – 21 and 22
Notable: American Bureau of Shipping (ABS) Certified | International Dark Sky (IDA) Approved (Standard Model Only)

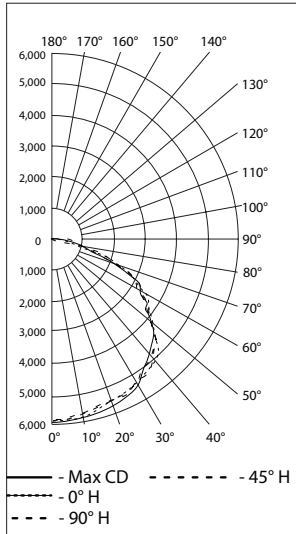
Photometric Data — DATA SHOWN IS ABSOLUTE

Type V, Clear Polycarbonate, 5000K CCT

REPORT NUMBER: MLGAH63CP5

Luminaire Lumens 19,107

POLAR CANDELA DISTRIBUTION

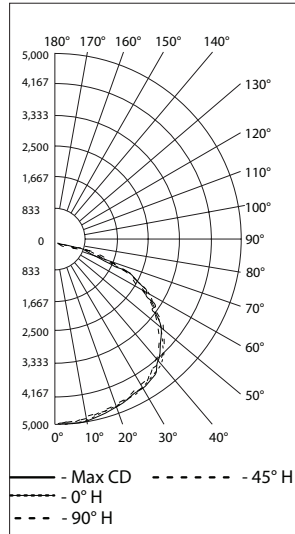


Type V, Clear Polycarbonate, 5000K CCT

REPORT NUMBER: MLGAX1CP5BU

Luminaire Lumens 21,019

POLAR CANDELA DISTRIBUTION

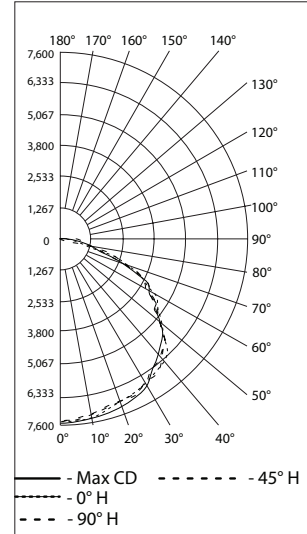


Type V, Clear Polycarbonate, 5000K CCT

REPORT NUMBER: MLGAX5CP5BU

Luminaire Lumens 24,947

POLAR CANDELA DISTRIBUTION

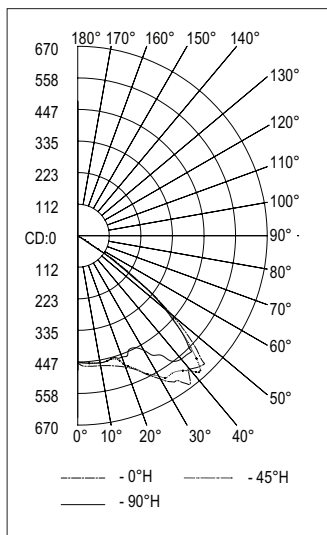


Type V, Clear Glass, 5000K CCT, Emergency

REPORT NUMBER: MLGL3CG5BUH+EMR

Luminaire Lumens 1,422

POLAR CANDELA DISTRIBUTION



Type V, Clear Glass, 5000K CCT, Emergency

REPORT NUMBER: MLGL5CG5BUH+EMR

Luminaire Lumens 1,422

POLAR CANDELA DISTRIBUTION

