

ATX™ Linmaster™ LED Zone 1 Series Nonmetallic Luminaires

Standard or with Emergency Battery Backup
Increased Safety

ATEX/IECx: Zones 1 and 2 – 21 and 22

Applications

- For use in locations where:
 - Hazardous areas are designated as Zone 1 and 2 – 21 and 22
 - A high degree of corrosion resistance is required
 - Protection against dirt, water and moisture is necessary
- Typical applications include:
 - Oil refineries
 - Petrochemical facilities
 - Food processing plants
 - Waste and water treatment plants
 - Underground tunnels
 - General manufacturing facilities
 - Hydrogen and Biofuels plants
 - LNG (Liquid Natural Gas) plants

Features

- Available in 5000K, 4000K, 3000K and 2200K Color Temperatures.
- Luminaire with optional green color LEDs is available.
- Easy to retrofit in same mounting footprint as the Appleton FE Series nonmetallic fluorescent luminaires and FELED Series nonmetallic LED luminaires, and nonmetallic fluorescent luminaires from different manufacturers.
- Full range of lumen outputs, with light distribution equivalent to the Appleton FE Series fluorescent luminaires and FELED Series nonmetallic LED luminaires.
- 0-10V dimming capable.
- To prevent deep discharge of the batteries, emergency luminaires can be ordered and shipped without batteries, then batteries can be ordered and shipped separately prior to installation in the field when needed.
- Corrosion-resistant fiberglass reinforced polyester body and hinged polycarbonate dome cover.
- Retention point integrated in the luminaire's housing for safety cable installation.
- High impact resistance housing (20 Joules – IK10) from -40 °C to +65 °C (-40 °F to +149 °F) ambient temperature and wind profile for use in extreme offshore and onshore environments.
- L70:

+25 °C (+77 °F)	Reported	> 102,000 hours
Ambient Temperature	Calculated	> 200,000 hours
+65 °C (+149 °F)	Reported	> 102,000 hours
Ambient Temperature	Calculated	> 200,000 hours
- Lightweight design, hinged cover with central lock system, and terminal block wiring for easy installation and maintenance.
- Contemporary, low profile design suitable for tight spaces.
- Standard screw-type terminal block can accept 4 mm²/6 mm² (flexible/rigid) wire.
- Field replaceable LED driver.
- Industry-leading thermal management for safe, reliable operation over wide temperature range.
- Universal, high efficiency drivers in standard luminaire models, cover voltage requirements for 100 to 277 Vac, 50/60 Hz for standard models. Optional DC voltages: 125-300 Vdc or 24-48 Vdc.
- Universal, high efficiency BMM in emergency luminaire models covers voltage requirements for 120 to 277 Vac, 50/60 Hz Vdc are available with the standard luminaire models.
- High power factor electronic driver (>0.95).
- Standard 6 kV surge suppression.



LELED3 | LELED4



LELED5 | LELED6 | LELED7

- Appleton emergency exit labels can safely be secured on the polycarbonate dome cover.
- M20 plug or M25 plug provided.
- Latch assembly and elastomer gasket seals against water and dust ingress.
- Easily accessed for maintenance using Allen key or straight blade screwdriver.
- Central opening with unique patented release system to prevent damage.
- Can be horizontally or vertically mounted.
- Available in 1.5 H or 3 H emergency version, including built-in monthly self-test. Test results through multi-colored LED.
- Optional positive safety switch disconnects power to LED's and driver to allow maintenance in hazardous locations.

Warranty

- 10 year standard warranty.

Options

- Emergency/Battery Back-Up available for all models;
 - Add suffix -H to the end of the catalog number for 90 minutes. Example: LELED5CBUSADH
 - Add suffix -E to the end of the catalog number for 180 minutes. Example: LELED5CBUSADE

Standard Materials

- Housing: fiberglass reinforced polyester
- Dome cover: polycarbonate
- Gasket: elastomer
- Mounting accessories available in different materials such as gray painted aluminum, zinc plated steel, galvanized steel or 316 stainless steel

ATEX/IECx Certifications and Compliances

- Certification Type: LELED
 - Gas: Zones 1 and 2
 - Conforming to ATEX 2014/34/EU: II 2 G
 - Type of Protection: Ex eb mb IIC Gb
 - Temperature Class: T4
 - Dust: Zones 21 and 22
 - Conforming to ATEX 2014/34/EU: II 2 D
 - Type of Protection: Ex tb IIIC Db

☛ For warranty details go to www.appleton.emerson.com.

ATX™ Linmaster™ LED Zone 1 Series Nonmetallic Luminaires

Standard or with Emergency Battery Backup
Increased Safety

ATEX/IECEX: Zones 1 and 2–21 and 22

- Standard Luminaire Ambient Temperature: -40 °C up to +65 °C (-40 °F up to +149 °F), refer to temperature codes table.
- Emergency Luminaire Ambient Temperature: -20 °C up to +60 °C (-4 °F up to +140 °F)
- ATEX Certificate: INERIS 24ATEX0001X
- IECEx Certificate: IIECEX INE 24.0001X
- Index of Protection according EN/IEC 60529: IP66 / 67 / 68
 - IPX8 testing was conducted at 1.5 m water depth for a duration of 45 min.
- Impact Resistance (shock): IK10
- Photobiological Safety, IEC 62778 and IEC 62471: RG0

Related Products

- ATX™ Linmaster™ LED Zone 2 Series Nonmetallic Luminaires
- ATX™ FELED Series Nonmetallic LED Luminaires

Order Using Catalog Numbering Guide — ATX™ Linmaster Zone 1 Series Nonmetallic LED Luminaires

LELED	3	C	BU	S	A	D	W	E	F
Series Prefix: LELED - Zone 1, 2, 21, 22 ATEX/IECEX Certified		Color Temperature (CCT): C - 5000K (Cool) N - 4000K (Neutral) W - 3000K (Warm) H - 2200K V - Green		Wiring Version: S - Surface/Suspension Mount Standard Wiring (single phase) L - Surface/Suspension Mount Dual Loop In/Out Through Wiring (single phase)		Optic: Blank - Clear D - Diffused:		Emergency: Blank - No Emergency R - 90 minutes (non-maintained) H - 90 minutes (maintained) E - 180 minutes (maintained)	
Lumen Output ①: 3 - 3K 4 - 4K 5 - 5K 6 - 6K 7 - 7K		Voltage: BU - 100 to 277 Vac, 50/60 Hz; 125-300 Vdc B2 - 24-48 Vdc ②		Cable Entry: A - Armored M20 ③ U - Unarmored M20 ④ N - Unarmored M25 ④ R - Armored M25 ③		Battery Pack: Blank - Emergency Luminaire with Battery Pack W - Emergency Luminaire without Battery Pack		Cutoff Switch: Blank - No switch F - With cutoff switch ⑤	

① All values displayed reflect typical values (+/- 10%).

② DC voltages can only be used with IECEx certified standard luminaires. Not available with ATEX certification.

③ Must order armored cable glands separately.

④ Cable glands provided in luminaires with unarmored hub entries.

⑤ Select to have cutoff switch with standard or emergency model.

ATX™ Linmaster™ LED Zone 1 Series Nonmetallic Luminaires

Standard or with Emergency Battery Backup

Increased Safety

ATEX/IECx: Zones 1 and 2–21 and 22

Lumen Output (Efficacy) ①

Model	Fluorescent Equivalency	Light Distribution Pattern	CCT (Correlated Color Temperature)	CRI (Color Rendering Index)	Lumen Output	Efficacy (lm/W)	CCT	CRI	Lumen Output	Efficacy (lm/W)	CCT	CRI	Lumen Output	Efficacy (lm/W)
Clear Cover — Standard Mode														
LELED3	3 x 18W	Linear	3000K	≥80	3167	123	4000K	≥80	3402	132	5000K	≥80	3441	133
LELED4	2 x 36W	Linear	3000K	≥80	3643	121	4000K	≥80	3913	130	5000K	≥80	3957	131
LELED5	3 x 36W	Linear	3000K	≥80	5357	132	4000K	≥80	5754	141	5000K	≥80	5819	143
LELED6	2 x 58W	Linear	3000K	≥80	6391	130	4000K	≥80	6864	140	5000K	≥80	6941	141
LELED7	3 x 58W	Linear	3000K	≥80	7141	131	4000K	≥80	7671	140	5000K	≥80	7757	142
Clear Cover — Emergency Model 90 Minutes														
LELED3*H	3 x 18W	Linear	3000K	≥80	3167 1144	100	4000K	≥80	3402 1229	108	5000K	≥80	3441 1242	109
LELED4*H	2 x 36W	Linear	3000K	≥80	3643 1144	100	4000K	≥80	3913 1229	107	5000K	≥80	3957 1242	108
LELED5*H	3 x 36W	Linear	3000K	≥80	5357 1170	116	4000K	≥80	5774 1257	125	5000K	≥80	5819 1271	126
LELED6*H	2 x 58W	Linear	3000K	≥80	6391 1170	117	4000K	≥80	6864 1257	125	5000K	≥80	6941 1271	127
LELED7*H	3 x 58W	Linear	3000K	≥80	7141 1170	118	4000K	≥80	7671 1257	127	5000K	≥80	7757 1271	129
Clear Cover — Emergency Model 180 Minutes														
LELED3*E	3 x 18W	Linear	3000K	≥80	3167 676	100	4000K	≥80	3402 727	108	5000K	≥80	3441 735	109
LELED4*E	2 x 36W	Linear	3000K	≥80	3643 676	100	4000K	≥80	3913 727	107	5000K	≥80	3957 735	108
LELED5*E	3 x 36W	Linear	3000K	≥80	5357 687	116	4000K	≥80	5774 738	125	5000K	≥80	5819 746	126
LELED6*E	2 x 58W	Linear	3000K	≥80	6391 687	117	4000K	≥80	6864 738	125	5000K	≥80	6941 746	127
LELED7*E	3 x 58W	Linear	3000K	≥80	7141 687	118	4000K	≥80	7671 738	127	5000K	≥80	7757 746	129
Diffused Cover — Standard Model														
LELED3	3 x 18W	Linear	3000K	≥80	2914	113	4000K	≥80	3075	120	5000K	≥80	3144	121
LELED4	2 x 36W	Linear	3000K	≥80	3351	111	4000K	≥80	3537	117	5000K	≥80	3616	120
LELED5	3 x 36W	Linear	3000K	≥80	4841	119	4000K	≥80	5109	125	5000K	≥80	5224	128
LELED6	2 x 58W	Linear	3000K	≥80	5774	117	4000K	≥80	6095	124	5000K	≥80	6231	127
LELED7	3 x 58W	Linear	3000K	≥80	6453	118	4000K	≥80	6811	125	5000K	≥80	6964	127
Diffused Cover — Emergency Model 90 Minutes														
LELED3*H	3 x 18W	Linear	3000K	≥80	2914 1060	92	4000K	≥80	3075 1118	98	5000K	≥80	3139 1143	100
LELED4*H	2 x 36W	Linear	3000K	≥80	3351 1060	92	4000K	≥80	3537 1118	97	5000K	≥80	3616 1143	99
LELED5*H	3 x 36W	Linear	3000K	≥80	4901 1085	106	4000K	≥80	5173 1145	112	5000K	≥80	5289 1171	115
LELED6*H	2 x 58W	Linear	3000K	≥80	5774 1085	106	4000K	≥80	6095 1145	111	5000K	≥80	6231 1171	114
LELED7*H	3 x 58W	Linear	3000K	≥80	6453 1085	107	4000K	≥80	6811 1145	113	5000K	≥80	6964 1171	115
Diffused Cover — Emergency Model 180 Minutes														
LELED3*E	3 x 18W	Linear	3000K	≥80	2914 625	92	4000K	≥80	3075 660	98	5000K	≥80	3139 674	100
LELED4*E	2 x 36W	Linear	3000K	≥80	3351 625	92	4000K	≥80	3537 660	97	5000K	≥80	3616 674	99
LELED5*E	3 x 36W	Linear	3000K	≥80	4901 631	106	4000K	≥80	5173 666	112	5000K	≥80	5289 681	115
LELED6*E	2 x 58W	Linear	3000K	≥80	5774 631	106	4000K	≥80	6095 666	111	5000K	≥80	6231 681	114
LELED7*E	3 x 58W	Linear	3000K	≥80	6453 631	107	4000K	≥80	6811 666	113	5000K	≥80	6964 681	115

① All values are typical (+/- 10%).

ATX™ Linmaster™ LED Zone 1 Series Nonmetallic Luminaires

Standard or with Emergency Battery Backup
Increased Safety

ATEX/IECEx: Zones 1 and 2–21 and 22

Electrical Specifications — AC Driver at 230 Vac ①

Model	Voltage	Input Power (Watt)	Input Current (A)	Power Factor (PF)	Total Harmonic Distortion (THD)
Standard Model					
LELED3	230 Vac	26	0.118	>0.9	<20%
LELED4	230 Vac	30	0.136	>0.9	<20%
LELED5	230 Vac	41	0.186	>0.9	<20%
LELED6	230 Vac	49	0.225	>0.9	<20%
LELED7	230 Vac	55	0.251	>0.9	<20%
Emergency Model 90 Minutes					
LELED3*H	230 Vac	32	0.160	>0.8	<20%
LELED4*H	230 Vac	37	0.179	>0.8	<20%
LELED5*H	230 Vac	46	0.220	>0.9	<20%
LELED6*H	230 Vac	55	0.257	>0.9	<20%
LELED7*H	230 Vac	60	0.283	>0.9	<20%
Emergency Model 180 Minutes					
LELED3*E	230 Vac	32	0.160	>0.8	<20%
LELED4*E	230 Vac	37	0.179	>0.8	<20%
LELED5*E	230 Vac	46	0.220	>0.9	<20%
LELED6*E	230 Vac	55	0.257	>0.9	<20%
LELED7*E	230 Vac	60	0.283	>0.9	<20%

Electrical Specifications — DC Driver at 24 Vdc ①

Model	Voltage	Input Power (Watt)	Input Current (A)	Power Factor (PF)	Total Harmonic Distortion (THD)
LELED3	24 Vdc	24	1.0	N/A	N/A
LELED4	24 Vdc	27	1.1	N/A	N/A
LELED5	24 Vdc	43	1.8	N/A	N/A
LELED6	24 Vdc	50	2.1	N/A	N/A
LELED7	24 Vdc	57	2.4	N/A	N/A

① All values are typical (tolerance +/-10%). Same electrical ratings apply to each luminaire with different LED position, mounting versions and cable entries.

ATX™ Linmaster™ LED Zone 1 Series Nonmetallic Luminaires

Standard or with Emergency Battery Backup

Increased Safety

ATEX/IECEX: Zones 1 and 2 – 21 and 22

Temperature Codes — Gas ①

Model Type	Gas — T Rating				
	Ta = +40 °C (+104 °F)	Ta = +50 °C (+122 °F)	Ta = +55 °C (+131 °F)	Ta = +60 °C (+140 °F)	Ta = +65 °C (+149 °F)
LELED3	T6	T5	T5	T4	T4
LELED4	T5	T4	T4	T4	—
LELED5	T6	T5	T5	T5	T4
LELED6	T6	T5	T5	T4	—
LELED7	T5	T4	T4	T4	—

Temperature Codes — Dust ①

Model Type	Dust — Surface T°				
	Ta = +40 °C (+104 °F)	Ta = +50 °C (+122 °F)	Ta = +55 °C (+131 °F)	Ta = +60 °C (+140 °F)	Ta = +65 °C (+149 °F)
LELED3	+54 °C (+129 °F)	+64 °C (+147 °F)	+69 °C (+156 °F)	+74 °C (+165 °F)	+79 °C (+174 °F)
LELED4	+55 °C (+131 °F)	+65 °C (+149 °F)	+70 °C (+158 °F)	+75 °C (+167 °F)	—
LELED5	+53 °C (+127 °F)	+63 °C (+145 °F)	+68 °C (+154 °F)	+73 °C (+163 °F)	+78 °C (+172 °F)
LELED6	+54 °C (+129 °F)	+64 °C (+147 °F)	+69 °C (+156 °F)	+74 °C (+165 °F)	—
LELED7	+56 °C (+133 °F)	+66 °C (+151 °F)	+71 °C (+160 °F)	+76 °C (+169 °F)	—

“T” Numbers Represent the Maximum Temperature

“T” #	T1	T2	T3	T4	T5	T6
Temp. Range °C (°F)	+301 to +450 (+547 to +842)	+201 to +300 (+394 to +572)	+136 to +200 (+277 to +392)	+101 to +135 (+214 to +275)	+86 to +100 (+187 to +212)	+85 (+185)

① Above temperature code tables are related to standard luminaires with AC driver only. To see the temperature codes for emergency luminaire or for standard luminaire with DC driver, refer to the instruction manual.

ATX™ Linmaster™ LED Zone 1 Series Nonmetallic Luminaires

Standard or with Emergency Battery Backup
Increased Safety

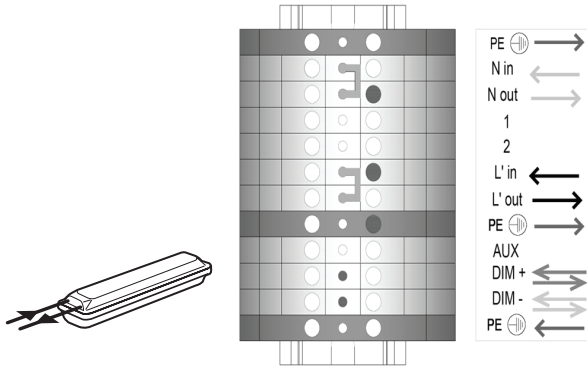
ATEX/IECx: Zones 1 and 2–21 and 22

Wiring Diagrams

Version: S

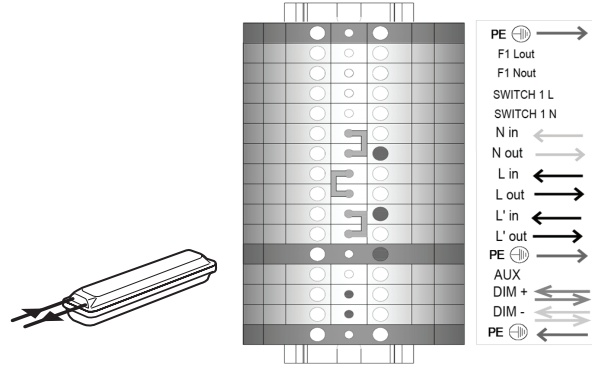
Standard Model

Standard (Single Phase), 3 Entries, 1 at one end and 2 at the other



Emergency Model

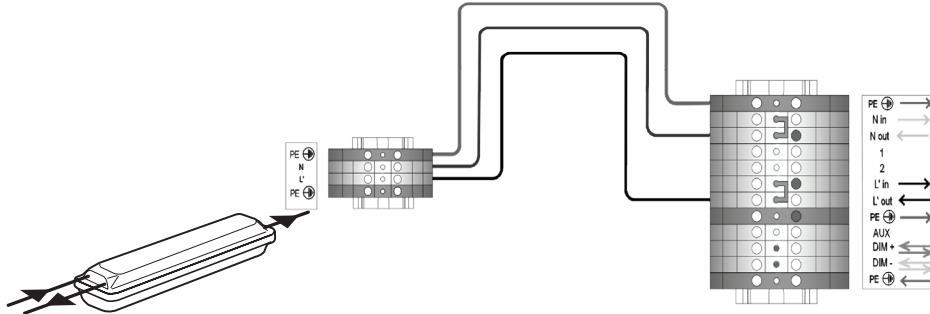
Standard (Single Phase), 3 Entries, 1 at one end and 2 at the other



Version : L

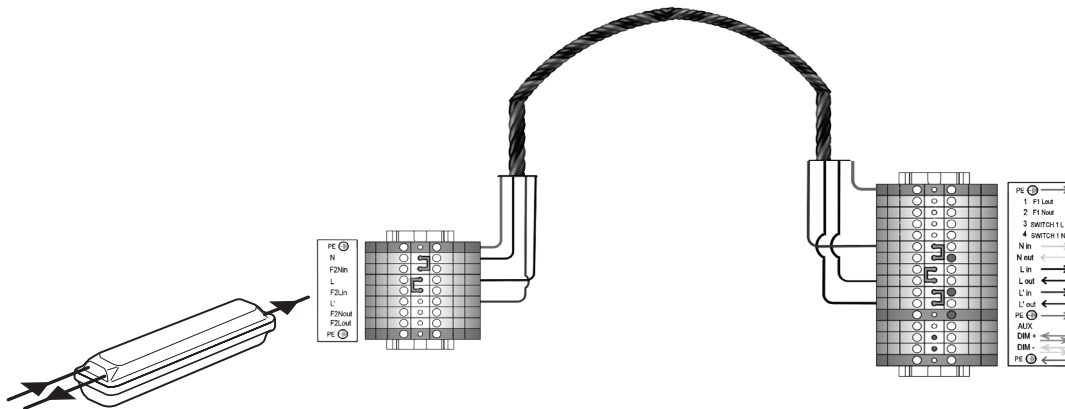
Standard Model

Dual Loop In / Out — Through Wiring (Single Phase), 3 Entries, 1 at one end and 2 at the other



Emergency Model

Dual Loop In / Out — Through Wiring (Single Phase), 3 Entries, 1 at one end and 2 at the other



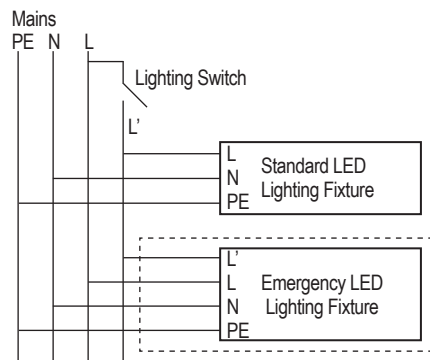
ATX™ Linmaster™ LED Zone 1 Series Nonmetallic Luminaires

Standard or with Emergency Battery Backup
Increased Safety

ATEX/IECx: Zones 1 and 2 – 21 and 22

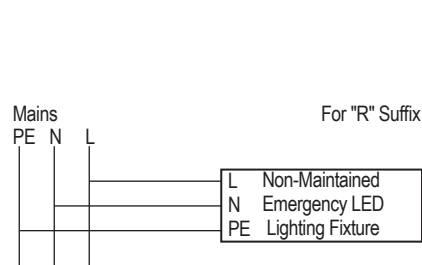
Maintained Emergency Linmaster

Wiring Diagram

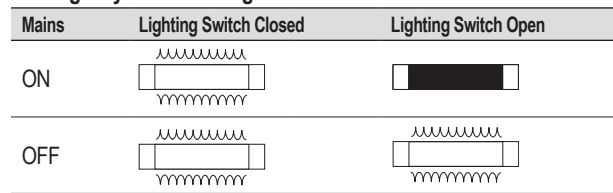


Non-Maintained Emergency Linmaster

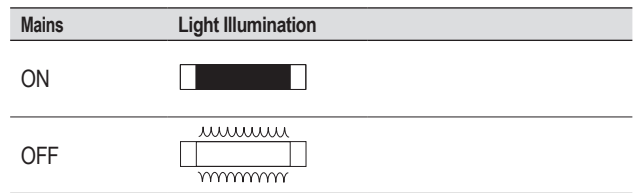
Wiring Diagram



Emergency Function Diagram - Maintained



Emergency Function Diagram - Non-Maintained



LED Signals

Indicator Color	Timing	Function
Green	1 sec ON: 1 sec OFF	Normal charging ok, Battery not yet fully charged, No fault detected, Testing ok
Green	0.25 sec ON: 0.25 sec OFF	Functional / Duration Self-Test on-going
Green	Steady ON	Charging ok, Battery fully charged, No fault detected, Testing ok
Red	1 sec ON: 1 sec OFF	Fault condition, Installation issue, Battery is reverse, not connected, or shorted. Functional test failure, full duration test failure
LED Indicators OFF, LED Array ON	LED Indicators (Red and Green) OFF	No AC, Emergency mode ON

Automatic Testing System (ATS) — Emergency Battery Backup Model — Functionality

At the completion of functional and full duration tests, and when AC power is present, LED indicators will display status of the emergency luminaire.

Functional Test	Full Duration Test
Starts within 24-48 hours after the initial power up of the luminaire	Starts within 5 to 26 days after the initial power up of the module
Occurs every 14 days after the initial aforementioned functional test	Occurs once every 364 days after the initial duration test
Lasts for 30 seconds	Lasts for full duration of the rated emergency period

At the completion of functional and full duration tests, LED indicator will display the status of the emergency luminaire when AC is present

Emergency Light Duration

Lumen Level	Battery Capacity	Duration	Light Output	Duration	Light Output
3K (LELED3)	6 Ah – 6 V	180 minutes	5000K CCT: 741 lumens	90 minutes	5000K CCT: 1278 lumens
4K (LELED4)			5000K CCT: 741 lumens		5000K CCT: 1278 lumens
5K (LELED5)			5000K CCT: 758 lumens		5000K CCT: 1482 lumens
6K (LELED6)			5000K CCT: 758 lumens		5000K CCT: 1482 lumens
7K (LELED7)			5000K CCT: 758 lumens		5000K CCT: 1482 lumens



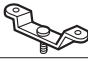





ATX™ Linmaster™ LED Zone 1 Series Nonmetallic Luminaires

Standard or with Emergency Battery Backup

Increased Safety

ATEX/IECEX: Zones 1 and 2–21 and 22

Accessories and Replacement Parts

	Description	Weight in kg (lbs)	Catalog Number
Replacement Dome Cover			
	Diffused dome cover with gasket for 2ft Linmaster	0.8 (1.76)	LINDCVR2
	Diffused dome cover with gasket for 4ft Linmaster	1.4 (3.09)	LINDCVR4
	Clear dome cover with gasket for 2ft Linmaster	0.8 (1.76)	LINCCVR2
	Clear dome cover with gasket for 4ft Linmaster	1.4 (3.09)	LINCCVR4
Replacement Battery Pack and BMM			
	Replacement Battery pack (1 each)	0.73 (1.6)	BPLLED
	Replacement BMM (1 each)	0.65 (1.43)	BMMLLED ①
Replacement Fuse Assembly			
	Replacement fuse assembly (1 each)	0.02 (0.04)	APPFUSEZ1
Safety Cable			
	Stainless Steel	0.2 (0.4)	LEDSC
Fixing Brackets for Surface Installation — Set of Two			
	Zinc plated steel	0.39 (0.85)	FEFBZ
Brackets for Surface Mounting — Set of Two			
	316 stainless steel	0.64 (1.4)	FESBS
Hinged Brackets for Adjusting Luminaire			
	Aluminum	0.75 (1.7)	FEHBA
	316 stainless steel	0.57 (1.25)	FEHBS
M8 Ring Bolts — Set of Two			
	Zinc plated steel	0.11 (0.2)	FERBM8Z
Half Clamps Brackets for Pole Mounting — Set of two			
	Diameter for 1-1/4" to 1-1/2" pole: 42 mm to 49 mm (1.65" to 1.93")		
	• Zinc plated steel	0.34 (0.7)	FEHC49Z
	• 316 stainless steel	0.34 (0.7)	FEHC49S
	Diameter for 2" pole: 60 mm (2.3")		
	• Zinc plated steel	0.48 (1.1)	FEHC60Z
	• 316 stainless steel	0.52 (1.2)	FEHC60S
Linmaster mounting bracket			
	For 800 mm mounting dimension	0.75 (1.7)	LNMB800
Fall Prevention Kit — Safety chain retains fixture temporarily to ease installation			
	For M25 cable entry	0.76 (1.7)	FESCM25
	For M20 cable entry	0.76 (1.7)	FESCM20
	Description	Size in Millimeters (Inches)	Catalog Number
	Warning label, straight arrow — Adhesive and divisible	327 x 109 (12.87 x 4.29)	BAESLABEL200 ②
	Warning label, inclined arrow — Adhesive and divisible	327 x 109 (12.87 x 4.29)	BAESLABEL201 ②

① Not CE Marked.

② Exit labels for use with only 3000lm model, BU driver and clear cover option.

ATX™ Linmaster™ LED Zone 1 Series Nonmetallic Luminaires

Standard or with Emergency Battery Backup

Increased Safety

ATEX/IECEx: Zones 1 and 2–21 and 22

Replacement Drivers

Description	Weight in kg (lbs)	Catalog Number
LELED3CBU*, LELED3NBU*, LELED3WBU* Replacement Driver (1 each)	0.95 (2.09)	APMZ050L135UD48
LELED4CBU*, LELED4NBU*, LELED4WBU* Replacement Driver (1 each)	0.95 (2.09)	APMZ050L135UD56
LELED5CBU*, LELED5NBU*, LELED5WBU* Replacement Driver (1 each)	0.95 (2.09)	APMZ050L135UD84
LELED6CBU*, LELED6NBU*, LELED6WBU* Replacement Driver (1 each)	0.95 (2.09)	APMZ050L135UD96
LELED7CBU*, LELED7NBU*, LELED7WBU* Replacement Driver (1 each)	0.95 (2.09)	APMZ050L135UD10
LELED3HBU* Replacement Driver (1 each)	0.95 (2.09)	APMZ050L135UD42
LELED4HBU* Replacement Driver (1 each)	0.95 (2.09)	APMZ050L135UD46
LELED5HBU* Replacement Driver (1 each)	0.95 (2.09)	APMZ050L135UD89
LELED6HBU* Replacement Driver (1 each)	0.95 (2.09)	APMZ050L135UD92
LELED7HBU* Replacement Driver (1 each)	0.95 (2.09)	APMZ050L135UD95
LELED3VBU* Replacement Driver (1 each)	0.95 (2.09)	APMZ050L135UD3
LELED4VBU* Replacement Driver (1 each)	0.95 (2.09)	APMZ050L135UD30
LELED5VBU* Replacement Driver (1 each)	0.95 (2.09)	APMZ050L135UD31
LELED6VBU* Replacement Driver (1 each)	0.95 (2.09)	APMZ050L135UD3A
LELED7VBU* Replacement Driver (1 each)	0.95 (2.09)	APMZ050L135UD32
LELED3CB2*, LELED3NB2*, LELED3WB2* Replacement Driver (1 each)	0.95 (2.09)	APMZ050C130DC48
LELED4CB2*, LELED4NB2*, LELED4WB2* Replacement Driver (1 each)	0.95 (2.09)	APMZ050C130DC56
LELED5CB2*, LELED5NB2*, LELED5WB2* Replacement Driver (1 each)	0.95 (2.09)	APMZ050C130DC84
LELED6CB2*, LELED6NB2*, LELED6WB2* Replacement Driver (1 each)	0.95 (2.09)	APMZ050C130DC96
LELED7CB2*, LELED7NB2*, LELED7WB2* Replacement Driver (1 each)	0.95 (2.09)	APMZ050C130DC10
LELED3HB2* Replacement Driver (1 each)	0.95 (2.09)	APMZ050C130DC42
LELED4HB2* Replacement Driver (1 each)	0.95 (2.09)	APMZ050C130DC46
LELED5HB2* Replacement Driver (1 each)	0.95 (2.09)	APMZ050C130DC89
LELED6HB2* Replacement Driver (1 each)	0.95 (2.09)	APMZ050C130DC92
LELED7HB2* Replacement Driver (1 each)	0.95 (2.09)	APMZ050C130DC95
LELED3VB2* Replacement Driver (1 each)	0.95 (2.09)	APMZ050C130DC3
LELED4VB2* Replacement Driver (1 each)	0.95 (2.09)	APMZ050C130DC30
LELED5VB2* Replacement Driver (1 each)	0.95 (2.09)	APMZ050C130DC31
LELED6VB2* Replacement Driver (1 each)	0.95 (2.09)	APMZ050C130DC3A
LELED7VB2* Replacement Driver (1 each)	0.95 (2.09)	APMZ050C130DC32

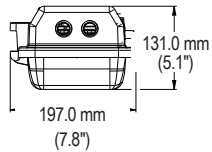
ATX™ Linmaster™ LED Zone 1 Series Nonmetallic Luminaires

Standard or with Emergency Battery Backup
Increased Safety

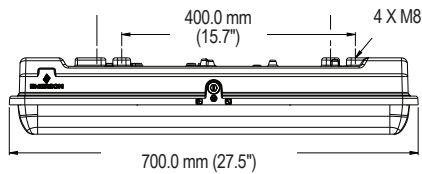
ATEX/IECEX: Zones 1 and 2–21 and 22

Luminaire Dimensions in Millimeters (Inches)

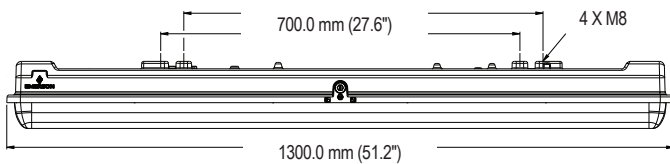
End View



Side View — 0.785 m (2.58 ft)



Side View — 1.39 m (4.56 ft) Version



Luminaire Specifications

Model	Length m (ft)	Weight in kg (lb)
Standard Model		
LELED3	0.70 (2.30)	5.00 (11.00)
LELED4		
LELED5	1.30 (4.30)	8.00 (17.50)
LELED6		
LELED7		
LELED3*E	0.70 (2.30)	6.40 (14.10)
LELED4*E		
LELED5*E	1.30 (4.30)	9.00 (19.80)
LELED6*E		
LELED7*E		
LELED3*H	0.70 (2.30)	6.40 (14.10)
LELED4*H		
LELED5*H		
LELED6*H	1.30 (4.30)	9.00 (19.80)
LELED7*H		

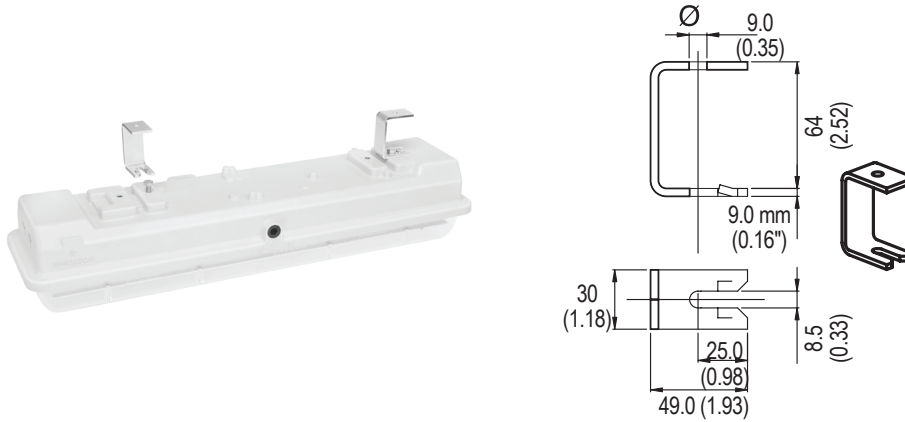
ATX™ Linmaster™ LED Zone 1 Series Nonmetallic Luminaires

Standard or with Emergency Battery Backup
Increased Safety

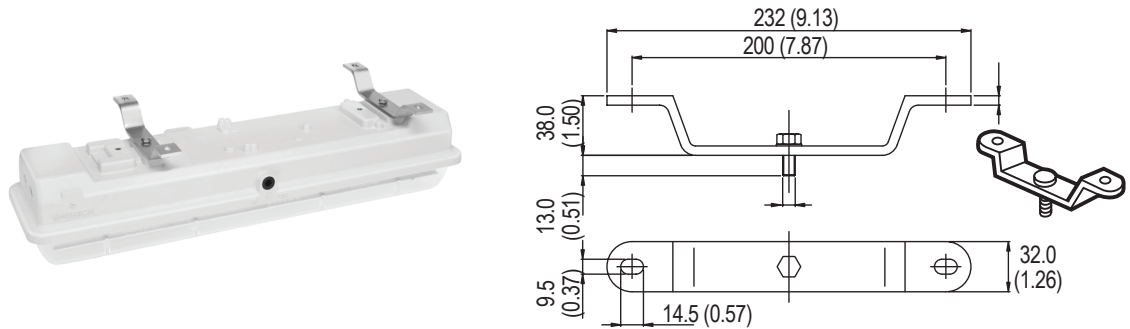
ATEX/IECx: Zones 1 and 2–21 and 22

Mounting Options Dimensions in Millimeters (Inches)

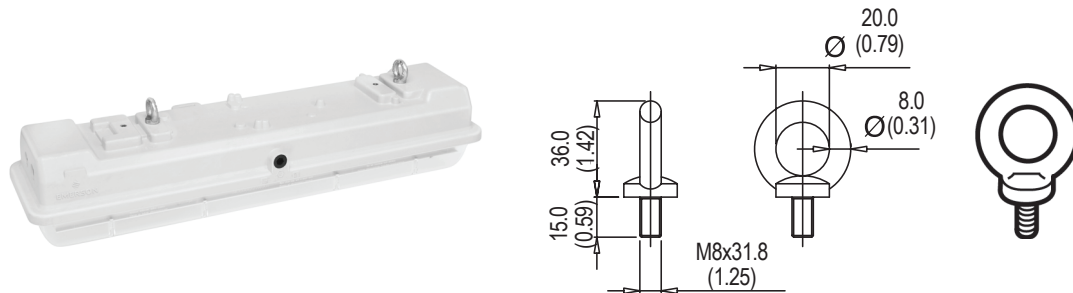
FEFBZ: zinc plated steel — Set of two quick fixing brackets for ease of surface mounting



FESBS: 316 stainless steel — Set of two brackets for surface mounting



FERBM8Z: zinc plated steel — Set of two ring bolts



ATX™ Linmaster™ LED Zone 1 Series Nonmetallic Luminaires

Standard or with Emergency Battery Backup
Increased Safety

ATEX/IECx: Zones 1 and 2–21 and 22

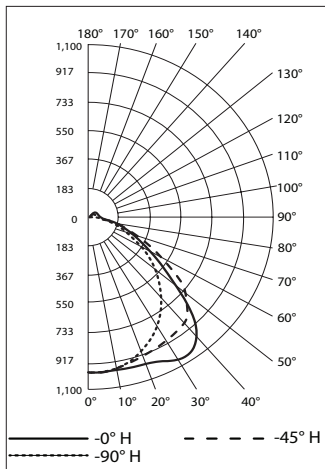
Photometric Data — DATA SHOWN IS ABSOLUTE

700 mm, Diffused Polycarbonate, 5000K CCT

CATALOG NUMBER: **LELED3CBU**D**

Luminaire Lumens 3,000

POLAR CANDELA DISTRIBUTION

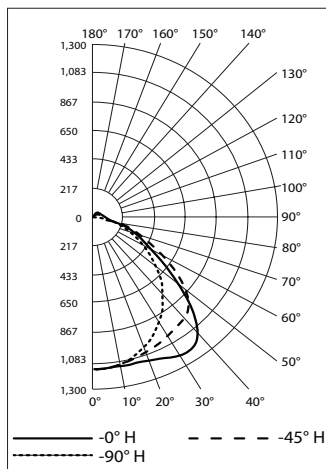


700 mm, Diffused Polycarbonate, 5000K CCT

CATALOG NUMBER: **LELED4CBU**D**

Luminaire Lumens 4,000

POLAR CANDELA DISTRIBUTION

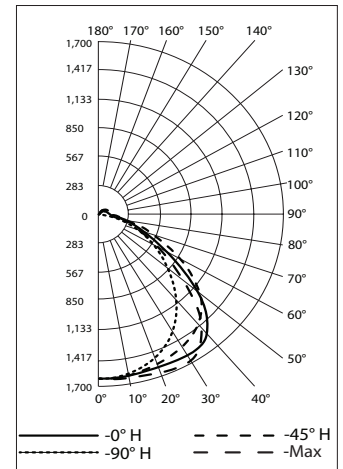


1300 mm, Diffused Polycarbonate, 5000K CCT

CATALOG NUMBER: **LELED5CBU**D**

Luminaire Lumens 5,000

POLAR CANDELA DISTRIBUTION

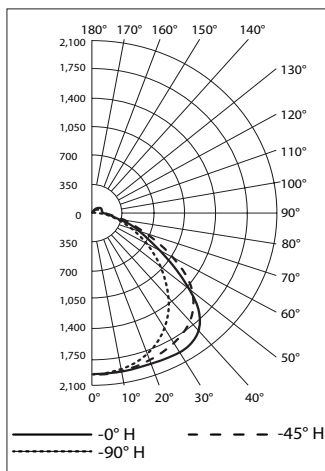


1300 mm, Diffused Polycarbonate, 5000K CCT

CATALOG NUMBER: **LELED6CBU**D**

Luminaire Lumens 6,000

POLAR CANDELA DISTRIBUTION



1300 mm, Diffused Polycarbonate, 5000K CCT

CATALOG NUMBER: **LELED7CBU**D**

Luminaire Lumens 7,000

POLAR CANDELA DISTRIBUTION

