

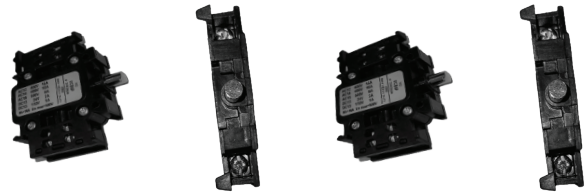
Unicode™ 2 Components | 1-Pole Contact Block

Components for Increased Safety Enclosures

NEC/CEC: Class I, Division 2, Groups A, B, C, D | Class I, Zones 1, AEx de IIC | Class I, Zone1, AEx e IIC | Class II, Division 2, Groups F, G | Class III | Type 4X | IP66
 ATEX/IECEX: Zones 1 and 2 – 21 and 22
 Notable: UKEX, INMETRO Certified

Features

- ATEX, IECEX and cCSAus Certified.
- Available in TS35 rail mounted or panel mounted.
- High performance contact block suitable for low intensity
- Rated operating voltage (Ue): 500 Vac — 110 Vdc.
- Switching capacity:
 - AC12: 16 Amp/400 Vac
 - AC14: 10 Amp/400 Vac
 - AC15: 6 Amp/500 Vac
 - DC13: 2 Amp/24 Vdc and 1 Amp/110 Vdc
- Terminal connection: 2.5 mm² (0.004 in²)



UCB5R
Rail Mounted Contacts
Top Access

UCB5P
Panel Mounted Contacts
Bottom Access

Standard Materials

- Body: polyamide
- Contact: silver alloy

NEC/CEC Certifications and Compliances

- Certification Type: CVe
 - Operating Temperature: -40 °C to +75 °C (-40 °F to +167 °F)
 - Ingress Protection (solid and liquid): IP66 and Type 4X ①
 - CAN/CSA Standards: C22.2 No. 0-M91, No. 14-05, No. 94-M91, No. 213-M1987, No. 60079-0:07, No. 60079-1:07, No. 60529:05, E60079-7-03, E61241-1-1:02
 - UL Standards: UL 508, UL 50E, UL 60079-0, UL 60079-1, UL 60079-7
 - Other Standards: ANSI/ISA 12.12.01-2011, ANSI/ISA 61241-0 (12.10.02)-2006, ANSI/ISA 61241-1(12.10.03)-2006
 - CSA Listed: 025875

ATEX/IECEX Certifications and Compliances

- Certification Type: UCVe
 - Gas: Zone 1 and 2
 - Conforming to ATEX 2014/34/EU: Ⓢ II 2 G
 - Type of Protection: Ex db eb IIC Gb
 - Service Temperature: -55 °C to +110 °C (-67 °F to +230 °F)
 - ATEX Certificate: INERIS 20 ATEX 9002U
 - IECEX Certificate: IECEX INE 20.0013U

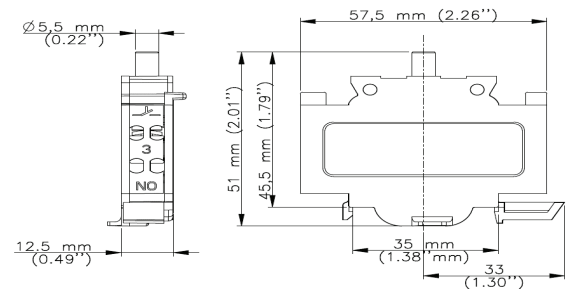
UKEX Certifications

- UKEX Certificate : CML 21UKEX1149U

INMETRO Certifications

- INMETRO Certificate : BVC20.3855-U

Dimensions and millimeters (inches)



Wiring diagram



Control Stations and Panels

	Weight kg (lb)	Volume dm ³ (in ³)	Pack	Catalog number	
				Rail mounted	Panel mounted
1 Pole Contact Blocks					
1 x "NO"	0.032 (0.071)	0.06 (3.66)	1	UCB5R	UCB5P
1 x "NC"	0.032 (0.071)	0.06 (3.66)	1	UCB9R	UCB9P

① Overall hazardous location and ingress protection rating depends on the rating of the optional certified components used.

Unicode™ 2 Components | 16 Amp Switches

Components for Increased Safety Enclosures

ATEX/IECEx: Zones 1 and 2 – 21 and 22
Notable: UKEX, INMETRO Certified

Features

- 2, 3, 4, 6 or 8-pole switches:
 - Available in TS35 rail mounted or panel mounted.
 - Padlockable
 - Can be equipped with switch and changeover switch contact blocks
- Switching capacity:
 - AC 1, 16 Amp, 690 Vac
 - AC 3, 8 Amp, 500 Vac
 - AC 3, 4 Amp, 690 Vac
 - AC 15, 16 Amp, 415 Vac
 - DC 1, 10 Amp, 24 Vdc
 - DC 1, 6 Amp, 60 Vdc
 - DC 1: 6 Amp/110 Vdc (2 contacts wired in series)
 - DC 1: 6 Amp/220 Vdc (3 contacts in series)
- Terminal connection: 1.5 mm² - 2.5 mm² (0.002 in² - 0.004 in²) (stranded), 1.5 mm² - 4 mm² (0.002 in² - 0.006 in²) (solid)

Standard Materials

- Body: polyamide
- Contact: silver

ATEX/IECEx Certifications and Compliances ①

- Certification Type: USW16 (Switches)
 - Gas: Zone 1 and 2
 - Conforming to ATEX 2014/34/EU: Ⓢ II 2 G
 - Type of Protection: Ex db eb IIC Gb
 - Service Temperature: -55 °C to +90 °C (-67°F to +194 °F)
 - ATEX Certificate: Ex Veritas 21 ATEX 0754U
 - IECEx Certificate: IECEx EXV 21.0003U
- Certification Type: AUXe (Handles)
 - Gas: Zone 1 and 2
 - Conforming to ATEX 2014/34/EU: Ⓢ II 2 G
 - Type of Protection: Ex eb IIC Gb
 - Dust: Zone 21 and 22
 - Conforming to ATEX 2014/34/EU: Ⓢ II 2 D
 - Type of Protection: Ex tb IIIC Db
 - Ambient Temperature:
 - -40 °C to +55 °C (-40°F to +131 °F)
 - ATEX Certificate: LCIE 03 ATEX 0012U
 - IECEx Certificate: IECEx LCIE 16.0050U
- Index of Protection according EN/IEC 60529: IP66
- Impact Resistance (shock): IK10

UKEX Certifications

- Certified type: USW16
 - UKEX Certificate : ExVeritas 22UKEX1165U
- Certified type : AUXe (handles)
 - UKEX Certificate: CML 21UKEX3184U

INMETRO Certifications

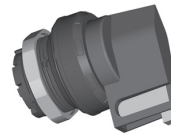
- Certified type: USW16
 - INMETRO Certificate: BVC22.4133-U
- Certified type : AUXe (handles)
 - INMETRO Certificate: BVC17.5702-U



US30R
(rail mounted switch)



US30P
(panel mounted switch)



USH
(switch handle)

① These products are certified only when used as components in factory assembled panels.

Unicode™ 2 Components | 16 Amp Switches

Components for Increased Safety Enclosures

ATEX/IECEx: Zones 1 and 2 – 21 and 22
 Notable: UKEX, INMETRO Certified

Standalone Switches — Add P for Panel Mounted or R for Rail Mounted; example: US1622-0002R

	Diagram Number	Wiring Diagram	Catalog Number Rail	Panel
Two Pole Selector Switches (handle to be ordered separately)				
2 position 2-pole selector switch	002		US16220002R <i>(former US32R)</i>	US16220002P <i>(former US32P)</i>
2 position 2-pole selector switch	016		US16220016R <i>(former US30R)</i>	US16220016P <i>(former US30P)</i>
3 position 2-pole selector switch	027		US16230027R <i>(former US31R)</i>	US16230027P <i>(former US31P)</i>
3 position 2-pole selector switch with spring return from 135° to 90°	038		US16230038R <i>(former US33R)</i>	US16230038P <i>(former US33P)</i>
3 position 2-pole selector switch with spring return from 45° to 90°	048		US16230048R <i>(former US34R)</i>	US16230048P <i>(former US34P)</i>
Three or Four Pole Selector Switches (handle to be ordered separately)				
2 position 4-pole selector switch	102		US16420102R <i>(former US35R)</i>	US16420102P <i>(former US35P)</i>
3 position 4-pole selector switch	119		US16430119R <i>(former US36R)</i>	US16430119P <i>(former US36P)</i>
2 position 4-pole selector switch	106		US16420106R <i>(former US37R)</i>	US16420106P <i>(former US37P)</i>
3 position 3-pole — Late break, early make selector switch with spring return from 45° to 90°	138		US16330138R <i>(former US38R)</i>	US16330138P <i>(former US38P)</i>
Padlockable lever handle for all selector switches			USH	

Control Stations and Panels

Unicode™ 2 Components | 16 Amp Switches

Components for Increased Safety Enclosures

ATEX/IECEx: Zones 1 and 2 – 21 and 22
 Notable: UKEX, INMETRO Certified

Standalone Switches — Add P for Panel Mounted or R for Rail Mounted; example: US1622-0002R

Wiring Diagram	Catalog Number	Wiring Diagram	Catalog Number
1-pole 2 positions			
	US16120056_		US16120061_
2-pole 2 positions			
	US16220002_		US16220015_
	US16220003_		US16220016_
	US16220004_		US16220017_
	US16220005_		US16220018_
	US16220007_		US16220019_
	US16220008_		US16220020_
	US16220009_		US16220021_
	US16220010_		US16220043_
	US16220011_		US16220045_
	US16220012_		US16220053_
	US16220013_		US16220073_
	US16220014_		US16220074_
2-pole 3 positions			
	US16230022_		US16230025_
	US16230023_		US16230026_
	US16230024_		US16230027_

Unicode™ 2 Components | 16 Amp Switches

Components for Increased Safety Enclosures

ATEX/IECEx: Zones 1 and 2 – 21 and 22
 Notable: UKEX, INMETRO Certified

Standalone Switches — Add P for Panel Mounted or R for Rail Mounted; example: US1622-0002R

Wiring Diagram	Catalog Number	Wiring Diagram	Catalog Number
2-pole 3 positions			
	US16230028_		US16230050_
	US16230029_		US16230051_
	US16230030_		US16230052_
	US16230031_		US16230054_
	US16230032_		US16230055_
	US16230038_		US16230059_
	US16230039_		US16230068_
	US16230040_		US16230070_
	US16230041_		US16230071_
	US16230042_		US16230072_
	US16230046_		US16230075_
	US16230047_		US16230076_
	US16230048_		US16230087_
	US16230049_		US16239002_

Control Stations and Panels

Unicode™ 2 Components | 16 Amp Switches

Components for Increased Safety Enclosures

ATEX/IECEx: Zones 1 and 2 – 21 and 22
 Notable: UKEX, INMETRO Certified

Standalone Switches — Add P for Panel Mounted or R for Rail Mounted; example: US1622-0002R

Wiring Diagram	Catalog Number	Wiring Diagram	Catalog Number
2-pole 4 positions			
	US16240044_		US16240062_
	US16240057_		US16240065_
	US16240058_		US16240084_
2-pole 8 positions			
	US16280036_	—	—
3-pole 2 positions			
	US16320122_		US16321153_
3-pole 3 positions			
	US16330136_		US16331112_
	US16330138_		US16331120_
	US16330144_		US16331142_
	US16330145_		US16331155_
	US16330161_		US16331171_
	US16330167_		US16331202_
	US16330199_		US16331209_
	US16331109_		US16331210_

Control Stations and Panels

Unicode™ 2 Components | 16 Amp Switches

Components for Increased Safety Enclosures

ATEX/IECEx: Zones 1 and 2 – 21 and 22
 Notable: UKEX, INMETRO Certified

Standalone Switches — Add P for Panel Mounted or R for Rail Mounted; example: US1622-0002R

Wiring Diagram	Catalog Number	Wiring Diagram	Catalog Number
3-pole 3 positions			
	US16331230_	—	—
3-pole 4 positions			
	US16340146_		US16340183_
	US16340168_		US16341119_
	US16340178_		US16341145_
	US16340181_		US16341151_
4-pole 2 positions			
	US16420102_		US16420137_
	US16420103_		US16420152_
	US16420104_		US16420154_
	US16420105_		US16420173_
	US16420106_		US16421105_
	US16420107_		US16421122_
	US16420116_		US16421147_
	US16420134_		US16421162_
	US16420135_		US16421234_
4-pole 3 positions			
	US16430111_		US16430113_
	US16430112_		US16430114_

Control Stations and Panels

Unicode™ 2 Components | 16 Amp Switches

Components for Increased Safety Enclosures

ATEX/IECEx: Zones 1 and 2 – 21 and 22
 Notable: UKEX, INMETRO Certified

Standalone Switches — Add P for Panel Mounted or R for Rail Mounted; example: US1622-0002R

Wiring Diagram	Catalog Number	Wiring Diagram	Catalog Number
	US16430118_		US16430169_
	US16430119_		US16430170_
	US16430120_		US16430175_
	US16430121_		US16430176_
	US16430127_		US16430180_
	US16430129_		US16431103_
	US16430131_		US16431104_
	US16430132_		US16431106_
	US16430133_		US16431108_
	US16430139_		US16431111_
	US16430140_		US16431113_
	US16430153_		US16431116_
	US16430157_		US16431125_
	US16430158_		US16431129_
	US16430159_		US16431134_
	US16430160_		US16431138_
	US16430162_		US16431159_

Control Stations and Panels

Unicode™ 2 Components | 16 Amp Switches

Components for Increased Safety Enclosures

ATEX/IECEx: Zones 1 and 2 – 21 and 22
 Notable: UKEX, INMETRO Certified

Standalone Switches — Add P for Panel Mounted or R for Rail Mounted; example: US1622-0002R

Wiring Diagram	Catalog Number	Wiring Diagram	Catalog Number
4-pole 3 positions			
	US16431165_		US16431206_
	US16431166_		US16431208_
	US16431167_		US16431213_
	US16431172_		US16431215_
	US16431173_		US16431217_
	US16431174_		US16431220_
	US16431176_		US16431222_
	US16431178_		US16431225_
	US16431179_		US16431226_
	US16431201_		US16431232_
	US16431203_		US16439001_
4-pole 4 positions			
	US16440110_		US16440147_
	US16440123_		US16440148_
	US16440130_		US16440150_
	US16440143_		US16440151_

Control Stations and Panels

Unicode™ 2 Components | 16 Amp Switches

Components for Increased Safety Enclosures

ATEX/IECEx: Zones 1 and 2 – 21 and 22
 Notable: UKEX, INMETRO Certified

Standalone Switches — Add P for Panel Mounted or R for Rail Mounted; example: US1622-0002R

Wiring Diagram	Catalog Number	Wiring Diagram	Catalog Number
	US16440155_		US16441128_
	US16440156_		US16441132_
	US16440164_		US16441133_
	US16440171_		US16441136_
	US16440198_		US16441139_
	US16440608_		US16441143_
	US16440611_		US16441144_
	US16440614_		US16441146_
	US16441102_		US16441154_
	US16441114_		US16441156_
	US16441115_		US16441163_
	US16441124_		US16441164_
	US16441127_		US16441168_

Control Stations and Panels

Unicode™ 2 Components | 16 Amp Switches

Components for Increased Safety Enclosures

ATEX/IECEx: Zones 1 and 2 – 21 and 22
 Notable: UKEX, INMETRO Certified

Standalone Switches — Add P for Panel Mounted or R for Rail Mounted; example: US1622-0002R

Wiring Diagram	Catalog Number	Wiring Diagram	Catalog Number
4-pole 4 positions			
	US16441169_		US16441211_
	US16441180_		US16441212_
	US16441204_		US16441219_
	US16441205_		US16441224_
	US16441207_		US16441229_
4-pole 5 positions			
	US16451110_		US16451235_

Control Stations and Panels

Unicode™ 2 Components | 16 Amp Switches

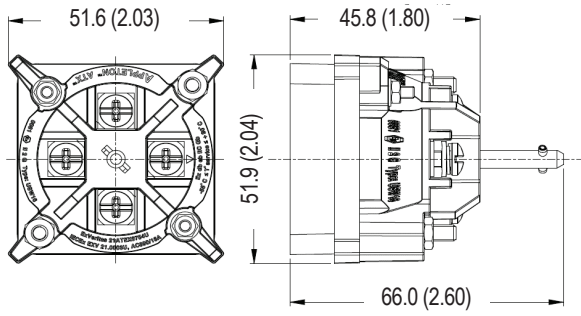
Components for Increased Safety Enclosures

ATEX/IECEx: Zones 1 and 2 – 21 and 22
 Notable: UKEX, INMETRO Certified

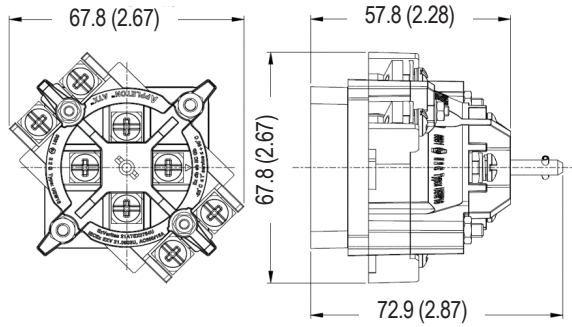
Dimensions in Millimeters (Inches)

16 Amp Switches

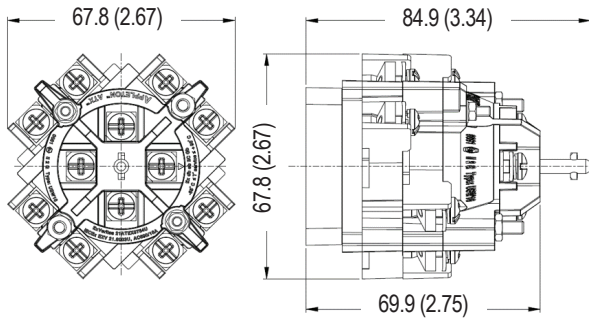
2-pole



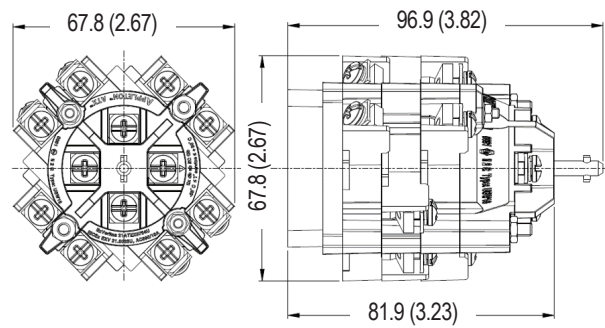
3- and 4-pole



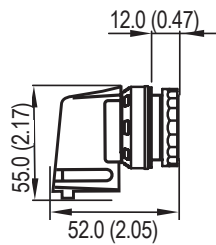
6-pole



8-pole



USH Handle



Unicode™ 2 Components | Accessories

Components for Increased Safety Enclosures

ATEX/IECEX: Zones 1 and 2 – 21 and 22

Nameplates — Set of 10

Blank self-adhesive, laminated plastic 58 mm x 18 mm (2.29" x 0.71").

Color	Catalog Number
White (black letters)	UNPW
Yellow (black letters)	UNPY
Red (white letters)	UNPR
Blue (white letters)	UNPB
Black (white letters)	UNPN
Green (white letters)	UNPG

Inserts for Push Button — Set of 5

Marking	Color	Catalog Number
(unmarked)	Green	UIAG
(unmarked)	Red	UIAR
(unmarked)	Yellow	UIAY
(unmarked)	White	UIAW
(unmarked)	Blue	UIAB
(unmarked)	Black	UIAN
ON	Green	UIA01
OFF	Red	UIA02
START	Green	UIA03
STOP	Red	UIA04
MARCHE	Green	UIA05
ARRET	Red	UIA06
I	Green	UIA07
O	Red	UIA08

Inserts for Illuminated Push Button — Set of 5

Marking	Color	Catalog Number
(unmarked)	Green	UILG
(unmarked)	Red	UILR
(unmarked)	Yellow	UILY
(unmarked)	White	UILW
(unmarked)	Blue	UILB
ON	Green	UIL01
OFF	Red	UIL02
START	Green	UIL03
STOP	Red	UIL04
MARCHE	Green	UIL05
ARRET	Red	UIL06
I	Green	UIL07
O	Red	UIL08

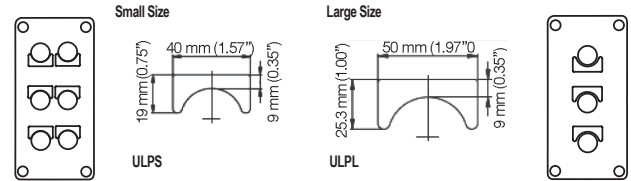
Spare Key

For all key-operated buttons.

Description	Catalog Number
Spare key type 4 A 185	SK4A185

Standard Legend Plates

Two sizes available. Self-adhesive yellow laminated plastic (black lettering).


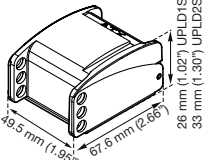







Text	Catalog Number	
	Small	Large
Blank (set of 10)	ULPS	ULPL
ON	ULPSA01	ULPLA01
OFF	ULPSA02	ULPLA02
FORWARD	ULPSA03	ULPLA03
REVERSE	ULPSA04	ULPLA04
JOG	ULPSA05	ULPLA05
RUN	ULPSA06	ULPLA06
START	ULPSA07	ULPLA07
STOP	ULPSA08	ULPLA08
UP	ULPSA09	ULPLA09
DOWN	ULPSA10	ULPLA10
FAST	ULPSA11	ULPLA11
SLOW	ULPSA12	ULPLA12
RAISE	ULPSA13	ULPLA13
LOWER	ULPSA14	ULPLA14
OPEN	ULPSA15	ULPLA15
CLOSE	ULPSA16	ULPLA16
LOW	ULPSA17	ULPLA17
HIGH	ULPSA18	ULPLA18
TEST	ULPSA19	ULPLA19
RESET	ULPSA20	ULPLA20
EMERGENCY STOP	ULPSA21	ULPLA21
MARCHE	ULPSA22	ULPLA22
ARRET	ULPSA23	ULPLA23
ARRET D'URGENCE	ULPSA24	ULPLA24
HAUT	ULPSA25	ULPLA25
BAS	ULPSA26	ULPLA26
O - I	ULPSH01	ULPLH01
ON - OFF	ULPSH02	ULPLH02
START - STOP	ULPSH03	ULPLH03
STOP - START	ULPSH04	ULPLH04
HAND - AUTO	ULPSH05	ULPLH05
MANU - AUTO	ULPSH06	ULPLH06
FORWARD - REVERSE	ULPSH07	ULPLH07
REMOTE - LOCAL	ULPSH08	ULPLH08
MARCHE - ARRET	ULPSH09	ULPLH09
I - O - II	ULPSJ01	ULPLJ01
OFF - O - ON	ULPSJ02	ULPLJ02
START - NORMAL - STOP	ULPSJ03	ULPLJ03
HAND - OFF - AUTO	ULPSJ04	ULPLJ04
MANU - O - AUTO	ULPSJ05	ULPLJ05
FORWARD - OFF - REVERSE	ULPSJ06	ULPLJ06
LOCAL - REMOTE - AUTO	ULPSJ07	ULPLJ07
LOCAL - O - REMOTE	ULPSJ08	ULPLJ08
MARCHE - NORMAL - ARRET	ULPSJ09	ULPLJ09

Unicode™ 2 Components | Accessories

Components for Increased Safety Enclosures

ATEX/IECEx: Zones 1 and 2 – 21 and 22

	Description	Catalog Number
	<p>Yellow Guard</p> <p>Mushroom head protection for emergency stop</p>	<p>098657</p>
	<p>Padlockable Guard</p> <p>Stainless steel and plastic cover, capacity: 3 padlocks, 6 mm (0.24") maximum diameter (not supplied)</p> <p>For push button and rotary actuator  </p> <p>For mushroom head actuator </p>	<p>UPLD1S</p> <p>UPLD2S</p>
	<p>Cover Blanking Plug</p> <p>For cover drilling — 30.5 mm (1.2") diameter</p>	<p>UBP</p>
	<p>Device Adaptor</p> <p>Rail to panel mounted conversion adaptor</p>	<p>UPMA</p>