

# ATX™ SWE Series 16 and 20 Amp Switches

## Increased Safety

SWE 16A, Type U2 and U4 | ATEX/IECEx: Zones 1 and 2 – 21 and 22  
SWE 20A | ATEX: Zones 1 and 2 – 21 and 22  
Notable: UKEX, INMETRO Certified

### Applications

- Designed to prevent operation in explosive atmospheres during connect and disconnect operation of lighting and light power loads.
- For use in hazardous areas where ignitable vapors, gases or highly combustible dusts are present.
- For installation in chemical and petrochemical plants, refineries and other process industries.

### Features

- Available up to 690 Volts, and up to 20 Amps.
- 16 Amp version:
  - Two bottom M20 clearance holes.
  - Switch mechanism fixed at the bottom of the box.
  - Termination:
    - Type U2: 2.5 mm<sup>2</sup> (0.004 in<sup>2</sup>)
    - Type U4: 2.5 mm<sup>2</sup> (0.004 in<sup>2</sup>) flexible, 4 mm<sup>2</sup> (0.006 in<sup>2</sup>) solid
  - Internal earth:
    - 2 x 2.5 mm<sup>2</sup> (0.004 in<sup>2</sup>) terminals
  - Supplied with:
    - 1 x white self-adhesive laminated plastic label with black lettering – 58 mm x 18 mm (2.28" x 0.71")
- 20 Amp version:
  - Two M20 threaded entries on the bottom of the box.
  - Switch mechanism fixed on the bottom of the box.
  - Padlockable handle in position 0 using maximum 4 padlocks – maximum handle diameter 8 mm (0.315") and minimum 15 mm (0.59") length.
  - Termination:
    - 2.5 mm<sup>2</sup> (0.004 in<sup>2</sup>) flexible, 4 mm<sup>2</sup> (0.006 in<sup>2</sup>) solid
  - Internal earth:
    - 2 x 4 mm<sup>2</sup> (0.006 in<sup>2</sup>) terminals
  - Supplied with:
    - 1 x yellow self-adhesive laminated plastic label with black lettering – 65 mm x 18 mm (2.56" x 0.71")

### Standard Materials

- 16 Amp version
  - Type U2 Box: polyester
  - Type U4 Box: polycarbonate
  - Screws: A4 stainless steel
  - Cable glands: polyamide
  - Locknuts: nickel plated brass
- 20 Amp version
  - Box: polyester
  - Screws: A4 stainless steel
  - Cable glands: polyamide

### ATEX/IECEx Certifications and Compliances

- Certification Type: U2 (SWE 16A)
  - Gas: Zone 1 and 2
    - Conforming to ATEX 2014/34/EU: Ⓢ II 2 G
    - Type of Protection: Ex db eb IIC
    - Temperature Class: T6
  - Dust: Zone 21 and 22
    - Conforming to ATEX 2014/34/EU: Ⓢ II 2 D
    - Type of Protection: Ex tb IIIC Db
  - Surface Temperature: T80 °C (T176 °F)
  - Ambient Temperature: -40 °C to +55 °C (-40 °F to +131 °F)
  - ATEX Certificate: INERIS 20ATEX0049X
  - IECEx Certificate: IECEx INE 20.0050X
  - Index of Protection according EN/IEC 60529: IP66



16 A - Type U2



16 A - Type U4



20 A

- Impact Resistance (shock): IK09
- Certification Type: U4 (SWE 16A)
  - Gas: Zone 1 and 2
    - Conforming to ATEX 2014/34/EU: Ⓢ II 2 G
    - Type of Protection: Ex db eb IIC Gb
    - Temperature Class: T6
  - Dust: Zone 21 and 22
    - Conforming to ATEX 2014/34/EU: Ⓢ II 2 D
    - Type of Protection: Ex tb IIIC Db
  - Surface Temperature: T80 °C (T176 °F)
  - Ambient Temperature: -20 °C to +55 °C (-4 °F to +131 °F)
  - ATEX Certificate: INERIS 21ATEX0002X
  - IECEx Certificate: IECEx INE 21.0004X
  - Index of Protection according EN/IEC 60529: IP66
  - Impact Resistance (shock): IK09 (IK10 - contact sales)

### ATEX Certifications and Compliances

- Certification Type: PCe (SWE 20A only)
  - Gas: Zone 1 and 2
    - Conforming to ATEX 2014/34/EU: Ⓢ II 2 G
    - Type of Protection: Ex de IIC
    - Temperature Class: T6
  - Dust: Zone 21 and 22
    - Conforming to ATEX 2014/34/EU: Ⓢ II 2 D
    - Type of Protection: Ex td A21
    - Surface Temperature: T80 °C (T176 °F)
    - Ambient Temperature: -20 °C to +40 °C (-4 °F to +104 °F)
  - ATEX Certificate: LCIE 00 ATEX 6047
  - Index of Protection according EN/IEC 60529: IP66

### UKEX Certification (SWE 16A only)

- Certification Type: U2 (SWE 16A)
  - UKEX Certificate: CML21UKEX1151X
- Certification Type: U4 (SWE 16A)
  - UKEX Certificate: CML21UKEX11411X

### INMETRO Certification (SWE 16A only)

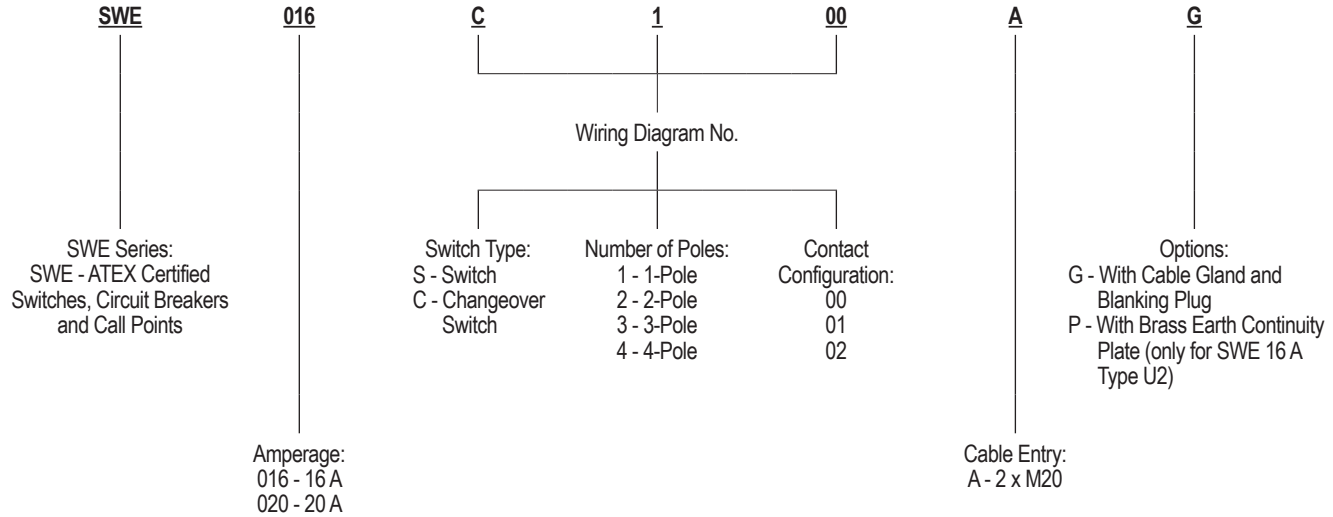
- Certification Type: U2 (SWE 16A)
  - INMETRO Certificate: BVC22.4127-X
- Certification Type: U4 (SWE 16A)
  - INMETRO Certificate: BVC22.4130-X

# ATX™ SWE Series 16 and 20 Amp Switches

Increased Safety

SWE 16A, Type U2 and U4 | ATEX/IECEX: Zones 1 and 2 – 21 and 22  
 SWE 20A | ATEX: Zones 1 and 2 – 21 and 22  
 Notable: UKEX, INMETRO Certified

## Catalog Numbering Guide



Switch Type	Wiring Diagram No.	Type	Weight kg (lb)	Volume dm <sup>3</sup> (in <sup>3</sup> )	Catalog Number
<b>16 Amp Switch — Type U2 — Padlockable handle — One M20 polyamide cable gland (cable O.D. 6.5 to 14.5 mm [0.26 to 0.57 in]) and blanking plug on bottom.</b>					
Changeover switch (I <sub>max</sub> : 11 A) ①	C101	U2	0.9 (1.98)	4 (244.10)	<b>SWE016C101AG</b>
2-pole (I <sub>max</sub> : 11 A) ①	S201	U2	0.9 (1.98)	4 (244.10)	<b>SWE016S201AG</b>
Changeover switch (I <sub>max</sub> : 11 A) ①	C101	U2	1 (2.20)	4 (244.10)	<b>SWE016C101AP</b>
2-pole (I <sub>max</sub> : 11 A) ①	S201	U2	1 (2.20)	4 (244.10)	<b>SWE016S201AP</b>
<b>16 Amp Twist Button - Type U4 — Non-padlockable handle — Two M20 clearance holes on the bottom</b>					
Changeover switch (I <sub>max</sub> : 14 A) ①	C100	U4	0.48 (1.06)	2.5 (152.56)	<b>SWE016C100A</b>
2-pole (I <sub>max</sub> : 13 A) ①	S200	U4	0.48 (1.06)	2.5 (152.56)	<b>SWE016S200A</b>
<b>20 Amp Switch — Padlockable handle — One M20 polyamide cable gland (cable O.D. 6.5mm to 14.5 mm) and blanking plug on bottom</b>					
Changeover switch	C100	PCe	1 (2.20)	2 (122.05)	<b>SWE020C100AG</b>
2-pole	S202	PCe	1 (2.20)	2 (122.05)	<b>SWE020S202AG</b>
3-pole	S301	PCe	1 (2.20)	2 (122.05)	<b>SWE020S301AG</b>
4-pole	S401	PCe	1 (2.20)	2 (122.05)	<b>SWE020S401AG</b>

① Other options are available upon request. Contact a local sales representative for more information.

# ATX™ SWE Series 16 and 20 Amp Switches

## Increased Safety

SWE 16A, Type U2 and U4 | ATEX/IECEx: Zones 1 and 2 – 21 and 22  
 SWE 20A | ATEX: Zones 1 and 2 – 21 and 22  
 Notable: UKEX, INMETRO Certified

Main Contacts	16 Amps Type U2	16 Amps Type U4	20 Amps
Rated Insulation Voltage	750 V	500 V	500 V
Rated Operating Voltage	690 Vac/110 Vdc	500 V	500 V
Rated Operating Current	16 Amp	16 Amp	20 Amp
<b>Switching Capacity</b>			
AC 1	16 Amp, 690 V	—	—
AC 12	—	16 Amp, 400 V	—
AC 14	—	10 Amp, 400 V	—
AC 15	16 Amp, 415 V	6 Amp, 500 V	—
AC 21	—	—	16 Amp, 500 V
AC 23	—	—	16A mp, 400 V
AC 3	08 Amp, 500 V	—	—
AC 3	04 Amp, 690 V	—	—
DC 1	10 Amp, 24 V	—	—
DC 1	06 Amp, 60 V	—	—
DC 1	06 Amp, 110 V ①	—	—
DC 13	—	1 Amp, 110 V	—
DC 13	—	2 Amp, 24 V	—
Termination (flexible/solid)	2.5 mm <sup>2</sup> /4 mm <sup>2</sup> (0.004 in <sup>2</sup> /0.006 in <sup>2</sup> )	2.5 mm <sup>2</sup> (0.004 in <sup>2</sup> )	2.5 mm <sup>2</sup> /4 mm <sup>2</sup> (0.004 in <sup>2</sup> /0.006 in <sup>2</sup> )

Switching Arrangement X Denotes "Closed Contact"

### 16 Amp Switch | C101

Positions	Contacts	
	11-12	23-24
0	X	
1		X

### 16 Amp Switch | S201

Positions	Contacts	
	13-14	23-24
0		
1	X	X

### 16 Amp Twist Button | C100

Positions	Contacts	
	1-2	3-4
0	X	
1		X

### 16 Amp Twist Button | S200

Positions	Contacts	
	3-4	3-4
0		
1	X	X

### 20 Amp Switch | C100

Positions	Contacts	
	1-2	3-4
0	X	
1		X

### 20 Amp Switch | S202

Positions	Contacts	
	1-2	3-4
0		
1	X	X

### 20 Amp Switch | S301

Positions	Contacts		
	1-2	3-4	5-6
0			
1	X	X	X

### 20 Amp Switch | S401

Positions	Contacts			
	1-2	3-4	5-6	7-8
0				
1	X	X	X	X

① 2 contacts connected in series.

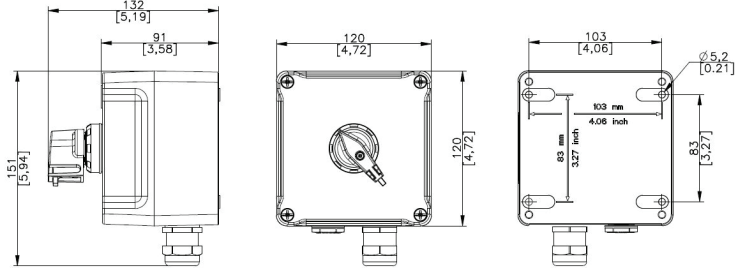
# ATX™ SWE Series 16 and 20 Amp Switches

## Increased Safety

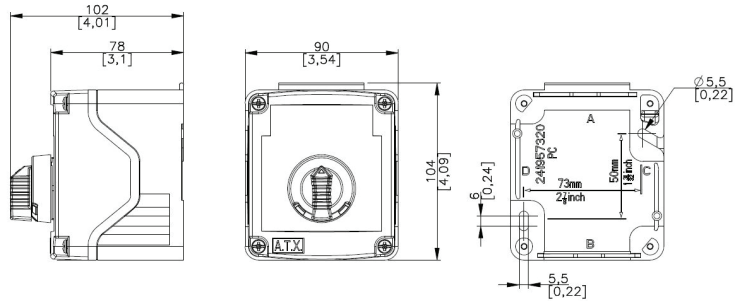
SWE 16A, Type U2 and U4 | ATEX/IECEx: Zones 1 and 2 – 21 and 22  
 SWE 20A | ATEX: Zones 1 and 2 – 21 and 22  
 Notable: UKEX, INMETRO Certified

### Dimensions in Millimeters (Inches)

#### 16 Amp Version | Type U2



#### 16 Amp Version | Type U4



#### 20 Amp Version

