

ATX™ FAS Series “Break Glass” Call Points

Increased Safety and Flameproof

ATEX: Zones 1 and 2 – 21 and 22

Applications

- Located on exit routes, in particular on the floor landings of staircases and at all exits to the open air.
- For use in hazardous areas where ignitable vapors, gases or highly combustible dusts are present.
- For installation in chemical and petrochemical plants, refineries and other process industries.

Features

- Type PCe (increased safety version):
 - Hammer and stainless steel chain.
 - NO+NC contacts with 2.5 mm² (0.004 in²) terminals.
 - Earth termination: 2 x 4 mm² (0.003 x 0.006 in²) – internal and external.
 - 2 x M20 bottom entries supplied with polyamide cable gland – 6.5 to 14.5 mm (0.26 to 0.57 in) diameter and polyamide blanking plug.
- Type BR1d (flameproof version):
 - Hammer and stainless steel chain.
 - NO+NC contacts with 2.5 mm² (0.004 in²) terminals.
 - Earth termination: 2 x 4 mm² (0.003 x 0.006 in²) – internal and external.
 - 2 x M20 entries (1 top and 1 bottom) supplied with one aluminum blanking plug.

Standard Materials

- Type PCe
 - Box: red painted aluminum alloy
 - Cover: red painted steel
 - Chain: stainless steel
- Type BR1d
 - Box: painted marine grade aluminum alloy (gray painted body and red painted cover)
 - Chain: stainless steel

ATEX Certifications and Compliances

- Certification Type: PCe
 - Gas: Zone 1 and 2
 - Conforming to ATEX 2014/34/EU: Ⓢ II 2 G
 - Type of Protection: Ex de IIC
 - Temperature Class: T6
 - Dust: Zone 21 and 22
 - Conforming to ATEX 2014/34/EU: Ⓢ II 2 D
 - Type of Protection: Ex tD A21
 - Surface Temperature: T80 °C (T167 °F)
 - Ambient Temperature: -55 °C to +60 °C (-67 °F to +140 °F)
 - ATEX Certificate: LCIE 00 ATEX 6047
- Certification Type: BR1d
 - Gas: Zone 1 and 2
 - Conforming to ATEX 2014/34/EU: Ⓢ II 2 G
 - Type of Protection: Ex d IIC
 - Temperature Class: T6 for Ta = +40 °C (+104 °F); T5 for Ta = +55 °C (+131 °F)
 - Dust: Zone 21 and 22
 - Conforming to ATEX 2014/34/EU: Ⓢ II 2 D
 - Type of Protection: Ex tD A21
 - Surface Temperature: T95 °C (T203 °F)
 - Ambient Temperature: -40 °C to +55 °C (-40 °F to +131 °F)
 - ATEX Certificate: LCIE 02 ATEX 6056
- Impact Resistance: IK10
- Index of Protection according EN/IEC 60529: IP66



Ex de IIC Version
(PCe Type)



Ex d IIC Version
(BR1d Type)

ATX™ FAS Series “Break Glass” Call Points

Increased Safety and Flameproof

ATEX: Zones 1 and 2 – 21 and 22

Catalog Numbering Guide

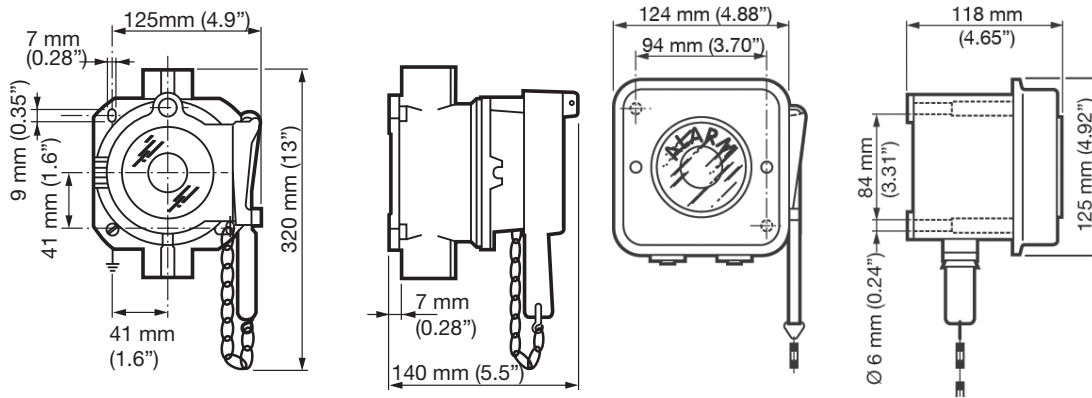
FAS
 |
 Series:
 FAS - Zones 1 et 2 – 21 et 22
 ATEX Certified

D
 |
 D - Ex d
 E - Ex e

A
 |
 A - Automatic
 M - Manual

Description	Weight kg (lb)	Volume dm ³ (in ³)	Pack	Catalog Number
Increased Safety Ex de IIC Version — Type PCe				
Coupure manuelle du circuit après avoir brisé la glace Contact 'F'+O'	1.2 (2.6)	5 (305.1)	1	FASEM
Automatic breaking of the circuit as soon as glass is broken. Momentary NO+NC contacts	1.2 (2.6)	5 (305.1)	1	FASEA
Flameproof Ex d IIC Version — Type BR1d				
Automatic breaking of the circuit as soon as glass is broken. Momentary NO+NC contacts	1.2 (2.6)	3.8 (231.9)	1	FASDA ①

Dimensions in Millimeters (Inches)



① Cable entry is M20. Old PN 093818 had M25 entry. Please double check cable entry size.