

# ATX™ D Series Pre-Drilled Aluminium Control Stations

## Flameproof

ATEX: Zones 1 and 2 – 21 and 22

### Applications

- Local control stations for use in hazardous areas.
- Control of equipment at power plants, chemical and petrochemical plants, petroleum refineries, pulp and paper processing plants and various industrial applications.

### Features

- 1 and 2 Function Ex d IIC:
  - For TS35 rail mounted contact block.
  - Actuators and contact blocks to be ordered separately.
  - Up to 3 contacts per function.
  - Threaded flameproof joint.
  - Internal earth terminal 2 x 4 mm<sup>2</sup> (0.006 in<sup>2</sup>).
  - External ground terminal: M5.
  - 1 x M20 or M25 threaded entry at bottom.
  - Cable glands and plugs to be ordered separately.
- 2 to 4 Function Ex d IIB:
  - For TS35 rail mounted contact block.
  - Actuators and contact blocks to be ordered separately.
  - Up to 3 contacts per function.
  - Flanged flameproof joint.
  - Yellow laminated plastic legend plate with black lettering.
  - Internal earth terminal: 2 x 4 mm<sup>2</sup> (0.006 in<sup>2</sup>).
  - External earth terminal: M6 screw.
  - 2 x M20 threaded entries at the bottom.
  - Cable glands and plugs to be ordered separately.



1 Function



2 Function



2 Function



3 Function

### Standard Materials

- BR1d and BR2d Box: gray painted marine grade aluminum alloy

### ATEX Certifications and Compliances








- Certification Type: BR1d
  - Gas, Zones 1 and 2
    - Conforming to ATEX 2014/34/EU: Ⓢ II 2 G
    - Type of Protection: Ex d IIC
    - Temperature Class: T6 for Ta = +40 °C (+104 °F), T5 for Ta = +55 °C (+131 °F)
  - Dust, Zones 21 and 22
    - Conforming to ATEX 2014/34/EU: Ⓢ II 2 D
    - Type of Protection: Ex tD A21
    - Surface Temperature: T95 °C (T203 °F)
    - Ambient Temperature: -40 °C to +55 °C (-40 °F to +131 °F)
    - Impact Resistance (shock): IK10
    - ATEX Certificate: LCIE 02 ATEX 6056
    - Index of Protection according EN/IEC 60529: IP66
- Certification Type: CF2D
  - Gas, Zones 1 and 2
    - Conforming to ATEX 2014/34/EU: Ⓢ II 2 G
    - Type of Protection: Ex d IIB
    - Temperature Class: T6 for Ta = +40 °C (+104 °F), T5 for Ta = +55 °C (+131 °F)
  - Dust, Zones 21 and 22
    - Conforming to ATEX 2014/34/EU: Ⓢ II 2 D
    - Type of Protection: Ex tD A21
    - Surface Temperature: T95 °C (T203 °F)
    - Ambient Temperature: -40 °C to +55 °C (-40 °F to +131 °F)
    - Impact Resistance (shock): IK10
    - ATEX Certificate: LCIE 03 ATEX 6061X
    - Index of Protection according EN/IEC 60529: IP66

- Certification Type: BR2d
  - Gas, Zones 1 and 2
    - Conforming to ATEX 2014/34/EU: Ⓢ II 2 G
    - Type of Protection: Ex d IIC
    - Temperature Class: T6
  - Dust, Zones 21 and 22
    - Conforming to ATEX 2014/34/EU: Ⓢ II 2 D
    - Type of Protection: Ex tD A21
    - Surface Temperature: T80 °C (T176 °F)
    - Ambient Temperature: -40 °C to +55 °C (-40 °F to +131 °F)
    - Impact Resistance (shock): IK09
    - ATEX Certificate: LCIE 03 ATEX 6062
    - Index of Protection according EN/IEC 60529: IP66

# ATX™ D Series Pre-Drilled Aluminium Control Stations

## Flameproof

ATEX: Zones 1 and 2 – 21 and 22

For TS35 Rail Mounted Actuators						
	Type	Description/Function	Bottom Entries	Weight kg (lb)	Volume dm <sup>3</sup> (in <sup>3</sup> )	Catalog Number
<b>1 Function Ex d IIC Control Stations</b>						
	BR1d	For push button, pilot light or selector switch	1 x M20	0.9 (1.98)	2 (122)	DA1W1E101
	BR1d	For push button, pilot light or selector switch	1 x M25	0.9 (1.98)	2 (122)	DA1W3E101
<b>2 Function Ex d IIC Pre-drilled Box</b>						
	BR1d	For push button (non-mushroom type) 2 contacts maximum for each function	1 x M20	0.9 (1.98)	2 (122)	DA1W1E201
	BR1d	For push button (non-mushroom type) 2 contacts maximum for each function	1 x M25	0.9 (1.98)	2 (122)	DA1W3E201
<b>2 Function Ex d IIB Pre-drilled Box</b>						
	CF2D	For push button, pilot light or selector switch	2 x M20	2.3 (5.07)	7 (427)	DA4W2E202
<b>3 Function Ex d IIB Pre-drilled Box</b>						
	CF2D	For push button, pilot light or selector switch (2 switches maximum)	2 x M20	3 (6.61)	7 (427)	DA5W2E301
	CF2D	For push button, pilot light and ammeter 48 x 48 mm (1.73 x 1.73") (ammeter with round barrel)	2 x M20	3 (6.61)	7 (427)	DA5W2E302
<b>4 Function Ex d IIB Pre-drilled Box</b>						
	CF2D	For push button, pilot light and ammeter 48 x 48 mm (1.73 x 1.73") (ammeter with round barrel)	2 x M20	3 (6.61)	7 (427)	DA5W2E401
<b>1 Meter Ex d IIC Pre-drilled Box</b>						
	BR2d	For indicator 72 x 72 mm (2.83 x 2.83") or 96 x 96 mm (3.78 x 3.78") with round barrel Mounting plate for indicator diameter 67 mm (2.64")	2 x M20	4 (8.82)	11 (671)	DA2W2E102

Control Stations and Panels

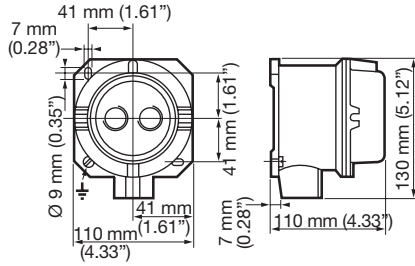
# ATX™ D Series Pre-Drilled Aluminium Control Stations

## Flameproof

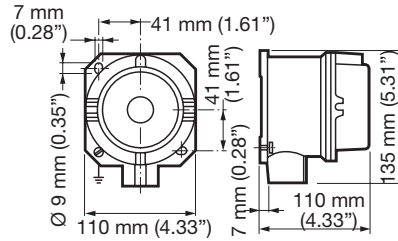
ATEX: Zones 1 and 2 - 21 and 22 | Ex II 2 GD | Ex d IIC/Ex d IIB/Ex tD A21 | IP66 | IK10

### Dimensions in Millimeters (Inches) for TS35 Rail Mounted Operators

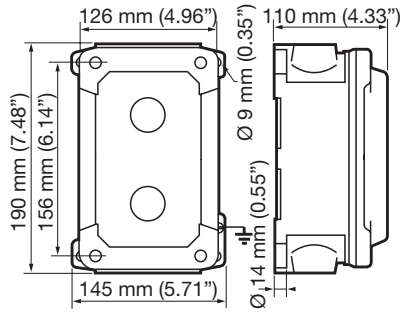
**BR1d (1 Function)**



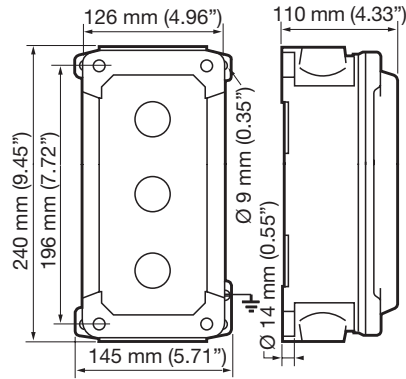
**BR1d (2 Functions)**



**CF2D (2 Functions)**



**CF2D (3-4 Functions)**



**BR2d**

