

ATX™ JBEP Series FRP Terminal Junction Boxes for Instrumentation Applications

Increased Safety

ATEX/IECEX: Zones 1 and 2 – 21 and 22
Notable: INMETRO Certified

Applications

- Instrumentation junction boxes are used to run process or remote information to control room.
- For use in intrinsic safety or non intrinsic safety systems.
- Designed for Zones 1 or 2 areas, where flammable gases or vapors are present either continuously, often or accidentally such as:
 - Petroleum
 - Chemical
 - Refineries
 - Other industrial process facilities
- Ideal for indoor/outdoor use with wet or corrosive atmospheres.
- Designed for use in Zones 21 or 22 areas where flammables dusts (conductive and non conductive) are present either continuously, often or accidentally such as:
 - Food processing
 - Dairy
 - Brewing
 - Other industrial process facilities

Features

- Available in a wide range of sizes:
 - For armored or unarmored cable with appropriate ATEX/IECEX certified cable glands
 - For use with a variety of connection and earth terminals
- Terminal blocks on DIN rail.

Standard materials

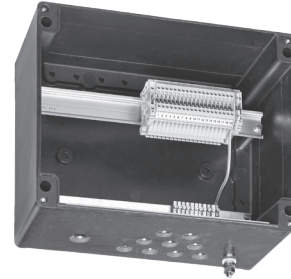
- Enclosures: Static resistant carbon filled fiberglass reinforced polyester (FRP)
- Hardware: stainless steel
- Gasket: silicon

Options

- Removable gland plates
- Nameplates
- Mounting pan
- Inside pocket for document
- Consult factory for custom drilling, assembly requirements and other ambient temperatures

ATEX/IECEX Certifications and Compliances

- Certification Type: JBEP
 - Gas, Zones 1 and 2:
 - Conforming to ATEX 2014/34/EU: Ⓢ II 2G
 - Conforming to IECEX : EPL Gb
 - Type of Protection: Ex eb IIC
 - Temperature Class: T6 ①
 - Dusts, Zones 21 and 22:
 - Conforming to ATEX 2014/34/EU: Ⓢ II 2D
 - Conforming to IECEX: EPL Db
 - Type of Protection: Ex tb IIIC
 - Surface Temperature : T68 °C (T154.4 °F)
- Ambient Temperature: -60 °C à +55°C (-76 °F à +131 °F)
- ATEX Certificate: LCIE 12 ATEX 3037X
- IECEX Certificate: IECEX LCIE 13.0003X
- Index of Protection according EN/IEC 60529: IP66



Cable Glands are available as an Option.

INMETRO Certifications

- INMETRO Certificate: BVC13.3238-X

Related Products

- For information on the full range of ATEX/IECEX certified cable entries for use with armored and unarmored cable, refer to Cable Glands section.

① For different temperature classes and ambient temperatures consult your local representative.

ATX™ JBEP Series FRP Terminal Junction Boxes for Instrumentation Applications

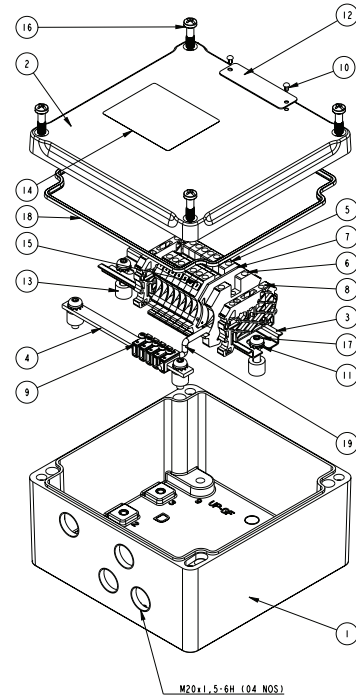
Increased Safety

ATEX/IECEX: Zones 1 and 2 – 21 and 22
 Notable: INMETRO Certified

Illustrated Features — Sample of JBEP171709NI01

Description

- 1 Body of Polyester Box 170 x 170 x 90 mm (6.69 x 6.69 x 3.54 in)
- 2 Cover of Polyester Box 170 x 170 x 91 mm (6.69 x 6.69 x 3.58 in)
- 3 Din Rail
- 4 Copper Bar 10 x 3 mm (0.39 x 0.12 in)
- 5 Terminal Block - ATEX/IECEX: WDU 2.5
- 6 Terminal Block - ATEX/IECEX: WPE 2.5
- 7 Plate - ATEX/IECEX: WAP 2.5/10
- 8 End Bracket
- 9 Cable Clamp 2.5 mm² (14AWG)- Capacity
- 10 Stainless Steel Rivet 2.5 x 5 mm (0.10 x 0.20 in)
- 11 Serrated Washer 5
- 12 Label Gravoply - Yellow
- 13 Nylons Spacer Lg. 10 mm (0.39 in)
- 14 Label 54 x 68 mm (2.13 x 2.68 in)
- 15 Terminal Marker
- 16 Screw M6 x 20 x 10 mm (M6 x 0.79 x 0.39)
- 17 Screw M5 x 20 (M5 x 0.79)
- 18 Gasket for Polyester Box 170 x 170 x 91 mm (6.69 x 6.69 x 3.58 in)
- 19 G/Y Cable 2.5 mm² (14AWG)



Enclosures and Junction Boxes

The Catalog Numbering Guide is a reference tool to explain the make-up of the catalog number. It is not to be used to create a custom product for ordering.

Catalog Numbering Guide - JBEP Polyester Junction Boxes for Instrumentation Applications

JBE Series: JBE - ATEX/IECEX Certified Junction Box	P Material: P - Polyester	17 Height Dimensions mm (in): 17 - 170 (6.69) 20 - 200 (7.87) 25 - 250 (9.84) 32 - 320 (12.60)	17 Width Dimensions mm (in): 17 - 170 (6.69) 21 - 215 (8.47) 32 - 320 (12.60) 50 - 500 (19.69)	09 Depth Dimensions mm (in): 09 - 91 (3.58) 15 - 150 (5.91)	A Cable Type: A - Armored N - Non-Armored L - Armored Lead Sheathed	I Type: I - Instrumentation	01 Suffix: 01 to 99 <i>Assigned at Factory</i>	D Options: D - Drain
---	---	--	--	---	--	---	---	--

ATX™ JBEP Series FRP Terminal Junction Boxes for Instrumentation Applications

Increased Safety

ATEX/IECEx: Zones 1 and 2 – 21 and 22
 Notable: INMETRO Certified

JBEP junction box models are certified for use in instrumentation applications only with WDU type section 2.5 mm² terminals. The quantity of terminals permitted depends on dissipated power as per JBEP model, All JBEP models have maximum of 275 Volts and 3 Amps (current).

T6 +55 °C (+131 °F)

Model	Enclosure Catalog Number	Maximum Voltage	WDU 2.5 mm ² Terminal Quantity	Maximum Current	Dissipated Power	Dust T°	Branching Point
JBEP3	JBEP171709XXXX	275 V	7	3	0.60 W		
		275 V	12	3	1.20 W		
		275 V	14	3	1.40 W		
JBEP5	JBEP202115XXXX	275 V	15	3	1.50 W		
		275 V	21	3	2.20 W		
		275 V	22	3	2.30 W		
JBEP6	JBEP253215XXXX	275 V	19	3	1.80 W		
		275 V	24	3	3.30 W	+68 °C (154.4 °F)	+74 °C (165.2 °F)
		275 V	25	3	3.40 W		
		275 V	27	3	3.70 W		
		275 V	36	3	4.90 W		
		275 V	37	3	5.00 W		
		275 V	38	3	5.20 W		
275 V	39	3	5.30 W				
JBEP7	JBEP325015XXXX	275 V	54	3	10.30 W		
		275 V	55	3	10.50 W		

Enclosures and Junction Boxes

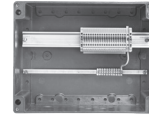
ATX™ JBEP Series FRP Terminal Junction Boxes for Instrumentation Applications

Increased Safety

ATEX/IECEx: Zones 1 and 2 – 21 and 22
 Notable: INMETRO Certified

Ex eb IIC Factory Drilled JBEP Polyester Junction Boxes Equipped with Terminals for Instrumentation Applications with Unarmored Cables

Fitted with: Horizontal beige terminal block. Copper bar with cable clamps or continuity shields.
 Yellow laminated plastic label with black lettering. M16 to M32 threaded entries. M40 to M50 clearance holes.
 Cable glands and plugs ordered separately.



For Cable	Terminal Block	Earth Terminal	Copper Bar	Cable Clamp	Multi-Cable Cable	Single Cable	Catalog
U1000	0.5/2.5 mm ² Qty.	0.5/2.5 mm ² Qty.	10 x 3 mm Qty.	0.5/2.5 mm ² Qty.	Entry Qty. 1	Entries	Number ①
RO2V						M20 Qty.	
07G1.5	7	1	1	5	M20	3	JBEP171709NI01
12G1.5	12	1	1	8	M25	6	JBEP202115NI02
19G1.5	19	1	1	11	M25	9	JBEP253215NI03
24G1.5	24	1	1	14	M32	12	JBEP253215NI04
27G1.5	27	1	1	15	M32	13	JBEP253215NI05
37G1.5	37	1	1	20	M32	18	JBEP253215NI06
07G2.5	7	1	1	5	M20	3	JBEP171709NI07
12G2.5	12	1	1	8	M25	6	JBEP202115NI08
19G2.5	19	1	1	11	M32	9	JBEP253215NI09
24G2.5	24	1	1	14	M32	12	JBEP253215NI10
27G2.5	27	1	1	15	M32	13	JBEP253215NI11
37G2.5	37	1	1	20	M40	18	JBEP253215NI12

For Cable	Terminal Block	Continuity	Multi-Cable Cable	Single Cable	Catalog
EGSF	0.5/2.5 mm ² Qty.	Shield Qty.	Entry Qty. 1	Entries	Number ①
				M16 Qty.	
07IP05	14	7	M20	7	JBEP202115NI21
07IT05	21	7	M20	7	JBEP202115NI22
12IP05	24	12	M25	12	JBEP253215NI23
12IT05	36	12	M25	12	JBEP253215NI24
19IP05	38	19	M32	19	JBEP253215NI25
27IP05	54	27	M32	27	JBEP325015NI26
07IP09	14	7	M25	7	JBEP202115NI27
07IT09	21	7	M25	7	JBEP202115NI28
12IP09	24	12	M32	12	JBEP253215NI29
12IT09	36	12	M32	12	JBEP253215NI30
19IP09	38	19	M32	19	JBEP253215NI31
27IP09	54	27	M32	27	JBEP325015NI32

For Cable	Terminal Block	Continuity	Multi-Cable Cable	Single Cable	Catalog
EISF	0.5/2.5 mm ² Qty.	Shield Qty.	Entry Qty. 1	Entries	Number ①
				M16 Qty.	
07IP05	15	8	M25	7	JBEP202115NI41
07IT05	22	8	M32	7	JBEP202115NI42
12IP05	25	13	M32	12	JBEP253215NI43
12IT05	37	13	M32	12	JBEP253215NI44
19IP05	39	20	M40	19	JBEP253215NI45
27IP05	55	28	M40	27	JBEP325015NI46
07IP09	15	8	M32	7	JBEP202115NI47
07IT09	22	8	M32	7	JBEP202115NI48
12IP09	25	13	M40	12	JBEP253215NI49
12IT09	37	13	M40	12	JBEP253215NI50
19IP09	39	20	M50	19	JBEP253215NI51
27IP09	55	28	M50	27	JBEP325015NI52

① For JBEP terminal junction box with a drain, add suffix D to the end of the catalog number; example: JBEP171709NI01D.

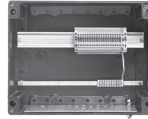
ATX™ JBEP Series FRP Terminal Junction Boxes for Instrumentation Applications

Increased Safety

ATEX/IECEX: Zones 1 and 2 – 21 and 22
 Notable: INMETRO Certified

Ex eb IIC Factory Drilled JBEP Polyester Junction Boxes Equipped with Terminals for Instrumentation Applications with Armored Cables

Fitted with: Horizontal beige terminal block. Copper bar with cable clamps or continuity shields.
 Yellow laminated plastic label with black lettering. Earth continuity brass plate. M8 external earth crossing terminal.
 M20 to M32 threaded entries. M40 to M50 clearance holes. Cable glands and plugs ordered separately.



Armored Cables

Enclosures and Junction Boxes

For Cable U1000 RVFV	Terminal Block 0.5/2.5 mm ² Qty.	Earth Terminal 0.5/2.5 mm ² Qty.	Copper Bar 10 x 3 mm Qty.	Cable Clamp 0.5/2.5 mm ² Qty.	Multi-Cable Cable Entry Qty. 1	Single Cable Entries M20 Qty.	Catalog Number ①
07G1.5	7	1	1	5	M20	3	JBEP171709AI01
12G1.5	12	1	1	8	M20	6	JBEP202115AI02
19G1.5	19	1	1	11	M25	9	JBEP253215AI03
24G1.5	24	1	1	14	M25	12	JBEP253215AI04
27G1.5	27	1	1	15	M25	13	JBEP253215AI05
37G1.5	37	1	1	20	M32	18	JBEP253215AI06
07G2.5	7	1	1	5	M20	3	JBEP171709AI07
12G2.5	12	1	1	8	M25	6	JBEP202115AI08
19G2.5	19	1	1	11	M25	9	JBEP253215AI09
24G2.5	24	1	1	14	M32	12	JBEP253215AI10
27G2.5	27	1	1	15	M32	13	JBEP253215AI11
37G2.5	37	1	1	20	M32	18	JBEP253215AI12

For Cable EGFA	Terminal Block 0.5/2.5 mm ² Qty.	Continuity Shield Qty.	Multi-Cable Cable Entry Qty. 1	Single Cable Entries M20 Qty.	Catalog Number ①
07IP05	14	7	M20	7	JBEP202115AI21
07IT05	21	7	M20	7	JBEP202115AI22
12IP05	24	12	M25	12	JBEP253215AI23
12IT05	36	12	M25	12	JBEP253215AI24
19IP05	38	19	M25	19	JBEP253215AI25
27IP05	54	27	M32	27	JBEP325015AI26
07IP09	14	7	M25	7	JBEP202115AI27
07IT09	21	7	M25	7	JBEP202115AI28
12IP09	24	12	M25	12	JBEP253215AI29
12IT09	36	12	M32	12	JBEP253215AI30
19IP09	38	19	M32	19	JBEP253215AI31
27IP09	54	27	M40	27	JBEP325015AI32

For Cable EIFA	Terminal Block 0.5/2.5 mm ² Qty.	Continuity Shield Qty.	Multi-Cable Cable Entry Qty. 1	Single Cable Entries M20 Qty.	Catalog Number ①
07IP05	15	8	M25	7	JBEP202115AI41
07IT05	22	8	M25	7	JBEP202115AI42
12IP05	25	13	M32	12	JBEP253215AI43
12IT05	37	13	M32	12	JBEP253215AI44
19IP05	39	20	M32	19	JBEP253215AI45
27IP05	55	28	M40	27	JBEP325015AI46
07IP09	15	8	M32	7	JBEP202115AI47
07IT09	22	8	M32	7	JBEP202115AI48
12IP09	25	13	M40	12	JBEP253215AI49
12IT09	37	13	M40	12	JBEP253215AI50
19IP09	39	20	M40	19	JBEP253215AI51
27IP09	55	28	M50	27	JBEP325015AI52

① For JBEP terminal junction box with a drain, add suffix D to the end of the catalog number; example: JBEP171709NI01D.

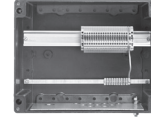
ATX™ JBEP Series FRP Terminal Junction Boxes for Instrumentation Applications

Increased Safety

ATEX/IECEx: Zones 1 and 2 – 21 and 22
 Notable: INMETRO Certified

Ex eb IIC Factory Drilled JBEP Polyester Junction Boxes Equipped with Terminals for Instrumentation Applications with Lead Sheath Armored Cables

Fitted with: Horizontal beige terminal block. Copper bar with cable clamps or continuity shields. Yellow laminated plastic label with black lettering. Earth continuity brass plate. M8 external earth crossing terminal. M20 to M32 threaded entries. M40 to M50 clearance holes. Cable glands and plugs ordered separately.



For Cable U1000 RGPFV	Terminal Block 0.5/2.5 mm ² Qty.	Earth Terminal 0.5/2.5 mm ² Qty.	Copper Bar 10 x 3 mm Qty.	Cable Clamp 0.5/2.5 mm ² Qty.	Multi-Cable Cable Entry Qty. 1	Single Cable Entries M20 Qty.	Catalog Number ①
07G1.5	7	1	1	5	M20	3	JBEP171709LI01
12G1.5	12	1	1	8	M25	6	JBEP202115LI02
19G1.5	19	1	1	11	M25	9	JBEP253215LI03
24G1.5	24	1	1	14	M32	12	JBEP253215LI04
27G1.5	27	1	1	15	M32	13	JBEP253215LI05
37G1.5	37	1	1	20	M32	18	JBEP253215LI06
07G2.5	7	1	1	5	M20	3	JBEP171709LI07
12G2.5	12	1	1	8	M25	6	JBEP202115LI08
19G2.5	19	1	1	11	M32	9	JBEP253215LI09
24G2.5	24	1	1	14	M32	12	JBEP253215LI10
27G2.5	27	1	1	15	M32	13	JBEP253215LI11
37G2.5	37	1	1	20	M40	18	JBEP253215LI12
For Cable EGPF	Terminal Block 0.5/2.5 mm ² Qty.	Continuity Shield Qty.			Multi-Cable Cable Entry Qty. 1	Single Cable Entries M20 Qty.	Catalog Number ①
07IP05	14	7			M20	7	JBEP202115LI21
07IT05	21	7			M20	7	JBEP202115LI22
12IP05	24	12			M25	12	JBEP253215LI23
12IT05	36	12			M25	12	JBEP253215LI24
19IP05	38	19			M25	19	JBEP253215LI25
27IP05	54	27			M32	27	JBEP325015LI26
07IP09	14	7			M25	7	JBEP202115LI27
07IT09	21	7			M25	7	JBEP202115LI28
12IP09	24	12			M32	12	JBEP253215LI29
12IT09	36	12			M32	12	JBEP253215LI30
19IP09	38	19			M40	19	JBEP253215LI31
27IP09	54	27			M40	27	JBEP325015LI32
For Cable EIPF	Terminal Block 0.5/2.5 mm ² Qty.	Continuity Shield Qty.			Multi-Cable Cable Entry Qty. 1	Single Cable Entries M20 Qty.	Catalog Number ①
07IP05	15	8			M25	7	JBEP202115LI41
07IT05	22	8			M32	7	JBEP202115LI42
12IP05	25	13			M32	12	JBEP253215LI43
12IT05	37	13			M32	12	JBEP253215LI44
19IP05	39	20			M40	19	JBEP253215LI45
27IP05	55	28			M50	27	JBEP325015LI46
07IP09	15	8			M32	7	JBEP202115LI47
07IT09	22	8			M32	7	JBEP202115LI48
12IP09	25	13			M40	12	JBEP253215LI49
12IT09	37	13			M40	12	JBEP253215LI50
19IP09	39	20			M50	19	JBEP253215LI51
27IP09	55	28			M50	27	JBEP325015LI52

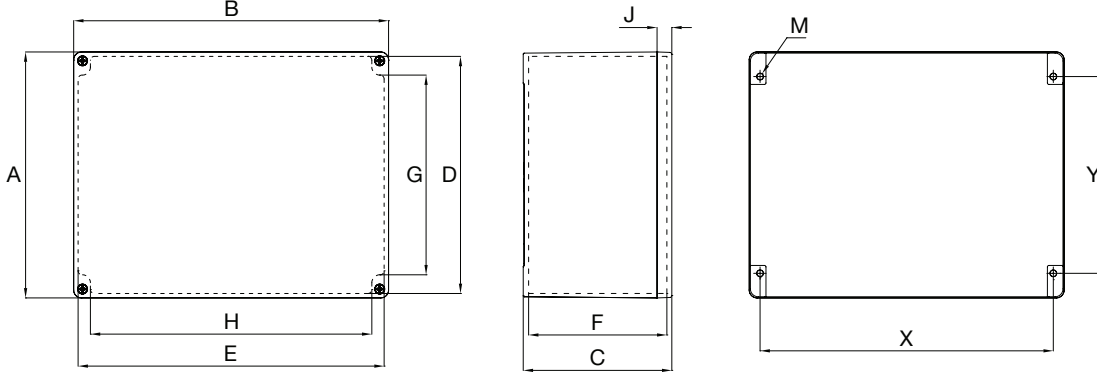
① For JBEP terminal junction box with a drain, add suffix D to the end of the catalog number; example: JBEP171709NI01D.

ATX™ JBEP Series FRP Terminal Junction Boxes for Instrumentation Applications

Increased Safety

ATEX/IECEx: Zones 1 and 2 – 21 and 22
 Notable: INMETRO Certified

Dimensions in Millimeters (Inches) ①



Enclosure Catalog Number	External Dimension		Internal Dimensions				Cover J	Body Thickness	Wall Fixing		M ②		
	A	B	C	D	E	F			X	Y			
JBEP1717090	170 (6.693)	170 (6.693)	91 (3.583)	158.5 (6.240)	158.5 (6.240)	72 (2.835)	112.5 (4.429)	137 (5.394)	15 (0.591)	4.5 (0.177)	153 (6.024)	131 (5.157)	M5
JBEP2021150	200 (7.874)	215 (8.465)	145 (5.709)	185.8 (7.315)	200.8 (7.906)	122.5 (4.823)	114.8 (4.519)	159 (6.260)	20 (0.787)	6.1 (0.240)	189 (7.441)	146 (5.748)	M6
JBEP2532150	250 (9.843)	320 (12.598)	150 (5.906)	241 (9.488)	311 (12.244)	133.5 (5.256)	171 (6.732)	267 (10.512)	15 (0.591)	5 (0.197)	200 (7.874)	298 (11.732)	M6
JBEP3250150	320 (12.598)	500 (19.685)	150 (5.906)	311 (12.244)	491 (19.331)	133.5 (5.256)	267 (10.512)	421 (16.575)	15 (0.591)	5 (0.197)	298 (11.732)	447 (17.598)	M6

① Wall fixing screw diameter 5 mm (0.20"). Wall fixing screw hole 6 mm (0.24").

② Screw to be used for mounting box.