

ATX™ JBEL Series Polycarbonate Junction Box

Increased Safety

Furnished complete with Terminals

ATEX/IECEx: Zones 1 and 2 – 21 and 22
Notable: UKEX, INMETRO Certified

Applications

- Small terminal junction boxes designed to facilitate electrical connections in hazardous areas.
- Designed for use in Zone 1 or 2 areas, where flammable gases or vapors are present either continuously or intermittently such as:
 - Petroleum
 - Chemical
 - Refineries
 - Other industrial process facilities
- Ideal for wet or corrosive atmospheres.
- Designed for use in Zone 21 or 22 areas where flammable dusts are present either continuously or intermittently such as:
 - Food processing
 - Dairy
 - Brewing
 - Other commercial facilities

Features

- Pillar type terminal block for easy connection.
- Available in two sizes:
 - 4 mm² (0.006 in²)
 - 10 mm² (0.016 in²)
- Unarmored or armored versions with earth continuity brass device.
- Operating temperature: -40 °C to +55 °C (-40 °F to +131 °F).

Standard Materials

- Enclosure: static and impact resistant polycarbonate
- Cover gasket: polyurethane
- Hardware: stainless steel

ATEX/IECEx Certifications and Compliances

- Certification Type: BJe1
 - Gas, Zones 1 and 2:
 - Conforming to ATEX 2014/34/EU: Ⓢ II 2 G
 - Type of Protection: Ex eb IIC Gb
 - Temperature Class: T6
 - Dust, Zones 21 and 22:
 - Conforming to ATEX 2014/34/EU: Ⓢ II 2 D
 - Type of Protection: Ex tb IIIC Db
 - Surface Temperature: T80 °C (T176 °F)
 - ATEX Certificate: LCIE 02 ATEX 6069X
 - IECEx Certificate: IECEx LCIE 19.0026X
 - Ambient Temperature: -40 °C to +55 °C (-40 °F to +131 °F)
 - Index of Protection according EN/IEC 60529: IP66
 - Impact Resistance (shock): IK10
- Certification Type: BJe2
 - Gas, Zones 1 and 2:
 - Conforming to ATEX 2014/34/EU: Ⓢ II 2 G
 - Type of Protection: Ex eb IIC Gb
 - Temperature Class: T6
 - Dust, Zones 21 and 22:
 - Conforming to ATEX 2014/34/EU: Ⓢ II 2 D
 - Type of Protection: Ex tb IIIC Db
 - Surface Temperature: T80 °C (T176 °F)
 - Ambient Temperature: -40 °C to +55 °C (-40 °F to +131 °F)
 - ATEX Certificate: LCIE 99 ATEX 6003X
 - IECEx Certificate: IECEx LCIE 18.0038X
 - Index of Protection according EN/IEC 60529: IP66
 - Impact Resistance (shock): IK10



JBEL1 - 2.5/4 mm²



JBEL2 - 6/10 mm²



UKEX Certification

- Certification Type: BJe1
 - UKEX CML 21UKEX3186X
- Certification Type: BJe2
 - UKEX CML 21UKEX3187X

INMETRO Certifications

- Certification Type: BJe1
 - INMETRO Certificate: BVC 11.0479-X
- Certification Type: BJe2
 - INMETRO Certificate: BVC 11.0402-X

Related Products




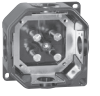
- Cable glands for use with armored and unarmored cable are available, see Fittings: Cable Glands.

ATX™ JBEL Series Polycarbonate Junction Box

Increased Safety

Furnished complete with Terminals

ATEX/IECEx: Zones 1 and 2 – 21 and 22
 Notable: UKEX, INMETRO Certified

Equipment	Rating (Amps)	Weight (kg (lb))	Volume (dm ³ (in ³))	Catalog Number
For Unarmored Cables 2.5/4 mm² (0.004/0.006 in²) 660 V — Certification Type: BJe1				
<i>Supplied with 4 connection terminals. Maximum capacity per terminal: 4 x 2.5 mm² (0.004 in²) or 2 x 4 mm² (0.004 in²) + 2 x 2.5 mm² (0.004 in²) and 4 interconnected earth terminals. Maximum capacity per earth terminal: 1 x 4 mm² (0.004 in²)</i>				
 4 x M20 entries 4 x cable glands for unarmored cable; 5.5 to 14 mm (0.22" to 0.55") diameter	28 A/2.5 mm ² (0.004 in ²) 38 A/4 mm ² (0.006 in ²)	0.4 (0.88)	1.7 (103.74)	JBEL1N4M20G
For Armored Cables 2.5/4 mm² (0.004/0.006 in²) 660 V — Certification Type: BJe1				
<i>Supplied with 4 connection terminals. Maximum capacity per terminal: 4 x 2.5 mm² (0.004 in²) or 2 x 4 mm² (0.004 in²) + 2 x 2.5 mm² (0.004 in²) and 4 interconnected earth terminals. Maximum capacity per earth terminal: 1 x 4 mm² (0.004 in²)</i>				
 4 x M20 entries with earth brass continuity device 2 x blanking plugs	28 A/2.5 mm ² (0.004 in ²) 38 A/4 mm ² (0.006 in ²)	0.4 (0.88)	1.7 (103.74)	JBEL1A4M20
For Unarmored Cables 6/10 mm² (0.009/0.016 in²) 690 V — Certification Type: BJe2				
<i>Supplied with 4 connection terminals. Maximum capacity per terminal: 4 x 6 mm² (0.009 in²) or 3 x 10 mm² (0.016 in²) + 4 mm² (0.004 in²) and 4 interconnected earth terminals. Maximum capacity per earth terminal: 1 x 10 mm² (0.016 in²)</i>				
3 x M20 entries 3 x cable glands for unarmored cable; 5.5 to 14 mm (0.22" to 0.55") diameter		0.7 (1.54)	4.5 (274.60)	JBEL2N3M20G
 4 x M20 entries 4 x cable glands for unarmored cable; 5.5 to 14 mm (0.22" to 0.55") diameter	42 A/10 mm ² (0.016 in ²) 30 A/6 mm ² (0.009 in ²)	0.7 (1.54)	4.5 (274.60)	JBEL2N4M20G
3 x M25 entries 3 x cable glands for unarmored cable; 9 to 18 mm (0.35" to 0.71") diameter	18 A/4 mm ² (0.006 in ²)	0.7 (1.54)	4.5 (274.60)	JBEL2N3M25G
4 x M25 entries 4 x cable glands for unarmored cable; 9 to 18 mm (0.35" to 0.71") diameter		0.7 (1.54)	4.5 (274.60)	JBEL2N4M25G
For Armored Cables 6/10 mm² (0.009/0.016 in²) 690 V — Certification Type: BJe2				
<i>Supplied with 4 connection terminals. Maximum capacity per terminal: 4 x 6 mm² (0.009 in²) or 3 x 10 mm² (0.016 in²) + 4 mm² (0.004 in²) and 4 interconnected earth terminals. Maximum capacity per earth terminal: 1 x 10 mm² (0.016 in²)</i>				
 4 x M20 entries with earth brass continuity device. 2 x M20 blanking plugs	42 A/10 mm ² (0.016 in ²) 30 A/6 mm ² (0.009 in ²)	0.7 (1.54)	4.5 (274.60)	JBEL2A4M20
4 x M25 entries with earth brass continuity device. 2 x M25 blanking plugs	18 A/4 mm ² (0.006 in ²)	0.7 (1.54)	4.5 (274.60)	JBEL2A4M25

ATX™ JBEL Series Polycarbonate Junction Box

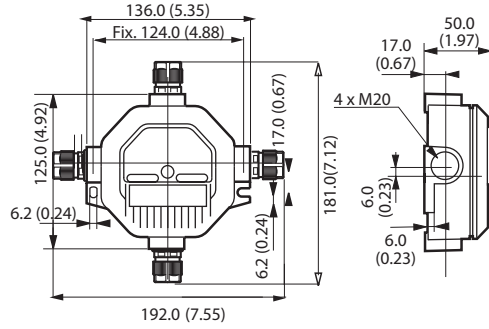
Increased Safety

Furnished complete with Terminals

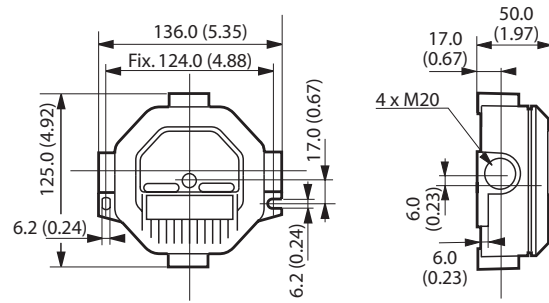
ATEX/IECEx: Zones 1 and 2 – 21 and 22
 Notable: UKEX, INMETRO Certified

Dimensions in Millimeters (Inches)

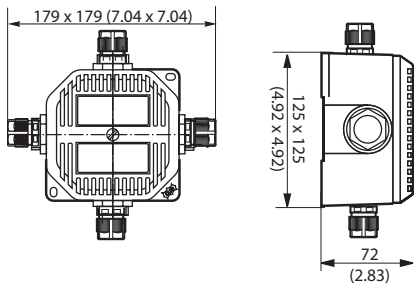
BJe1 with Cable Glands for Unarmored Cables



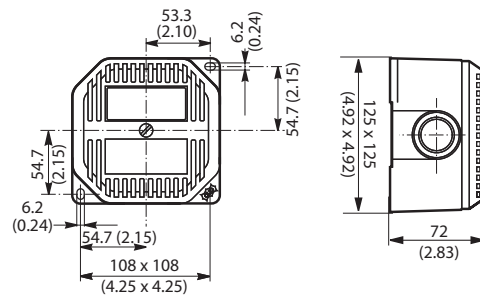
BJe1 without Cable Glands for Armored Cables



BJe2 with Cable Glands for Unarmored Cables



BJe2 without Cable Glands for Armored Cables



Enclosures and Junction Boxes