

# ATX™ JBDR Series Pre-Drilled Round Junction Boxes

## Flameproof

ATEX: Zones 1 and 2 – 21 and 22

### Applications

- Small terminal junction boxes designed to facilitate electrical connections in hazardous areas.
- Designed for use in Zone 1 or 2 areas, where flammable gases or vapors are present either continuously or intermittently.
- Ideal for use in wet or corrosive atmospheres such as:
  - Petroleum refineries
  - Chemical refineries
  - Other industrial process facilities
- Designed for use in Zone 21 or 22 areas, where flammable dusts are present either continuously or intermittently such as:
  - Food processing
  - Dairy
  - Brewing
  - Silos
  - Other facilities

### Features

- IK10 (20 Joules) high impact resistant box.
- Pillar type terminal block (4 x terminals) for easy connection.
- Terminal capacity: 4 x 4 mm<sup>2</sup> (0.006 x 0.006 in<sup>2</sup>) or 2 x 6 mm<sup>2</sup> (0.003 x 0.009 in<sup>2</sup>).
- Internal Earth: ground plate with 4 x M4 screws for connection to 4 mm diameter lugs.
- External Earth: M5 screw.
- Back plate supplied.
- Operating temperature -40 °C to +55 °C (-40 °F to +131 °F).

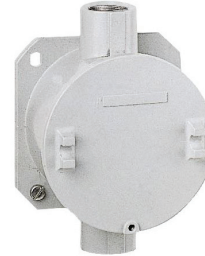
### Standard Materials

- Housing: gray painted marine grade aluminum
- Hardware: stainless steel

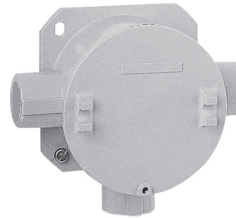
### ATEX Certifications and Compliances

- Certification Type: BR1d
  - Gas, Zones 1 and 2:
    - Conforming to ATEX 2014/34/EU: Ⓢ II 2 G
    - Type of Protection: Ex d IIC
    - Temperature Class: T6 to T4
  - Dust, Zones 21 and 22:
    - Conforming to ATEX 2014/34/EU: Ⓢ II 2 D
    - Type of Protection: Ex tD A21
    - Surface Temperature: T95 °C (T203 °F)
- Ambient Temperature: -40 °C to +55 °C (-40 °F to +131 °F)
- ATEX Certificate: LCIE 02 ATEX 6056
- Index of Protection according EN/IEC 60529: IP66

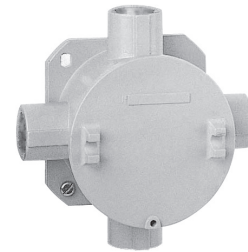
2 Entry Version



3 Entry Version



4 Entry Version

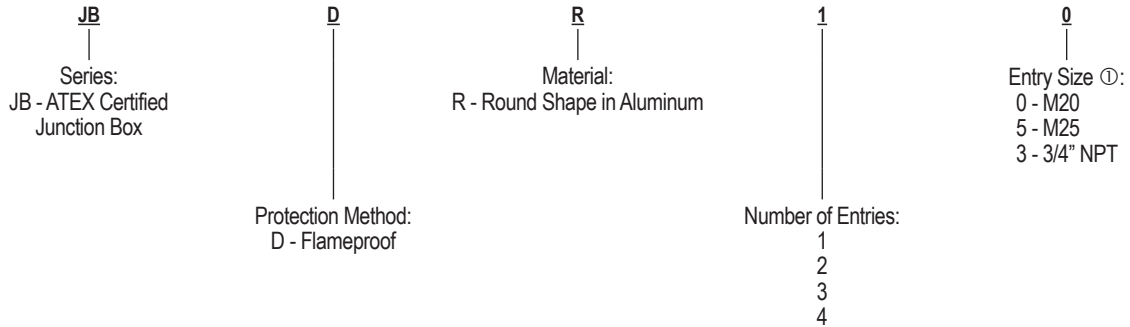





# ATX™ JBDR Series Pre-Drilled Round Junction Boxes

## Flameproof

ATEX: Zones 1 and 2 – 21 and 22

### Catalog Numbering Guide — JBDR Series Pre-Drilled Round Junction Boxes



Equipment	Weight kg (lb)	Volume dm <sup>3</sup> (in <sup>3</sup> )	Catalog Number
<b>Threaded Entries for M25 Cable Gland – Not Supplied</b>			
 2 Entry 2 x M25 entries (feed through)	0.8 (1.76)	2 (122.05)	<b>JBDR25</b>
3 x M25 entries (in a "T")	0.8 (1.76)	2 (122.05)	<b>JBDR35</b>
4 x M25 entries (in a cross)	0.9 (1.98)	2 (122.05)	<b>JBDR45</b>
<b>Threaded Entries for M20 Cable Gland – Not Supplied</b>			
 3 Entry 2 x M20 entries (feed through)	1.54 (0.70)	2 (122.05)	<b>JBDR20</b>
3 x M20 entries (in a "T")	1.54 (0.70)	2 (122.05)	<b>JBDR30</b>
4 x M20 entries (in a cross)	0.8 (1.76)	2 (122.05)	<b>JBDR40</b>
<b>Threaded Entries for NPT 3/4" Cable Gland – Not Supplied</b>			
 4 Entry 2 x 3/4" NPT entries (feed through)	1.54 (0.7)	2 (122.05)	<b>JBDR23</b>
3 x 3/4" NPT entries (in a "T")	1.54 (0.70)	2 (122.05)	<b>JBDR33</b>
4 x 3/4" NPT entries (in a cross)	0.8 (1.76)	2 (122.05)	<b>JBDR43</b>

### Accessories

Description	Weight kg (lb)	Volume dm <sup>3</sup> (in <sup>3</sup> )	Catalog Number
<b>Pillar Terminal Block</b>			
4 terminals 4 x 4 mm <sup>2</sup> (0.006 x 0.006 in <sup>2</sup> ) or 2 x 6 mm <sup>2</sup> (0.003 x 0.009 in <sup>2</sup> ) cables	0.1 (0.22)	0.4 (24.41)	<b>TBP44</b>

① For other entry size, use adaptor.

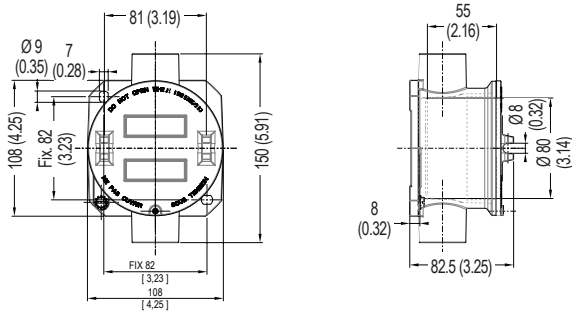
# ATX™ JBDR Series Pre-Drilled Round Junction Boxes

## Flameproof

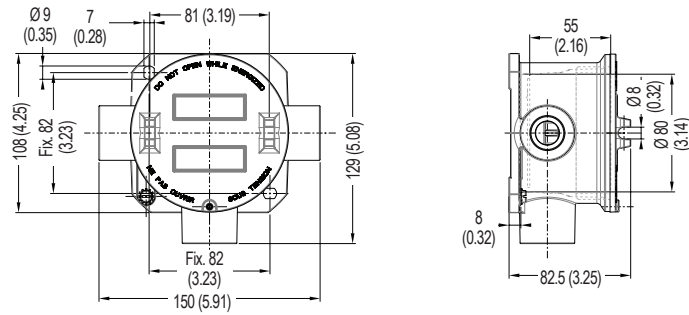
ATEX: Zones 1 and 2 – 21 and 22

### Dimensions in Millimeters (Inches)

#### 2 Entry Version



#### 3 Entry Version



#### 4 Entry Version

