

# ATX™ JBDA – ECDA Series Customized Enclosures

## Flameproof

ATEX/IECEx ①: Zones 1 and 2 – 21 and 22

### Applications

- Designed for use in Zones 1, 2, 21 and 22 in the oil and gas industry such as:
  - Petroleum
  - Chemical
  - Refineries
  - Other industrial process facilities
- Junction box applications:
  - JBD series enclosures may be customized to house terminal blocks.
- Enclosure and control applications:
  - ECD series enclosures may be customized to house a large range of components such as:
    - Control units
    - Breakers
    - Starters
    - Relays
    - Meters
    - Etc.

### Features

- Enclosures are available in a wide range of sizes.
- Precision machined flameproof joint between body and cover.
- Wall thickness suitable for all sizes of cable entries.
- External fixing lugs.
- Internal mounting pan.
- Square and round windows available in a wide range of sizes.
- Machining, drilling, and assembly must be completed in our workshops.
- Power dissipated calculation including cables must be completed according to each size of certified enclosure.

### Standard Materials

- Enclosures: gray painted marine grade aluminum alloy
- Hardware: stainless steel

### Options

- Indirect cable entries available through Ex e connection enclosure.
- There are many options for customized enclosures not limited to: terminal strips, selector switches, operators, transformers, etc. Please contact your local representative for more information.

### ATEX/IECEx Certifications and Compliances

- Certification Type: CF10B to CF70B, CF10C to CF50C
  - Gas, Zones 1 and 2
    - Conforming to ATEX 2014/34/EU: Ⓢ II 2 G
    - Type of Protection CF10B to CF70B: Ex d IIB
    - Type of Protection CF10C to CF50C: Ex d IIC
    - Temperature Class: T6 to T4
  - Dust, Zones 21 and 22
    - Conforming to ATEX 2014/34/EU: Ⓢ II 2 D
    - Type of Protection: Ex tD A21
    - Surface Temperature: T80 °C to T130 °C (T176 °F to T 266 °F)
  - Ambient Temperature
    - CF30B, CF70B: -20 °C to +55 °C (-4 °F to +131 °F);
    - CF10B, CF20B, CF40B, CF50B, CF10C, CF30C, CF50C: -40 °C to +55 °C (-40 °F to +131 °F);
    - CF60B: -50 °C to +55 °C (-58 °F to +131 °F)
  - ATEX Certificate: LCIE 02 ATEX 6057X
  - IECEx Certificate: IECEx LCI 08.0023X
  - Index of Protection according EN/IEC 60529: IP66



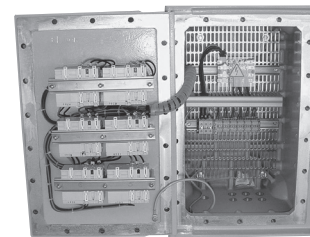
JBDA



ECDA



ECDA



Customized Enclosures

- Certification Type: CF1A/B/D/E
  - Gas: Zones 1 and 2
    - Conforming to ATEX 2014/34/EU: Ⓢ II 2 G
    - Type of Protection: Ex d IIC
    - Temperature Class: T6 to T2
  - Dust: Zones 21 and 22
    - Conforming to ATEX 2014/34/EU: Ⓢ II 2 D
    - Type of Protection: Ex tD A21
    - Surface Temperature: T95 °C to T290 °C (T203 °F to 554 °F)
  - Ambient Temperature: -40 °C to +55 °C (-40 °F to +131 °F)
  - ATEX Certificate: LCIE 03 ATEX 6044X
  - Index of Protection according EN/IEC 60529: IP66

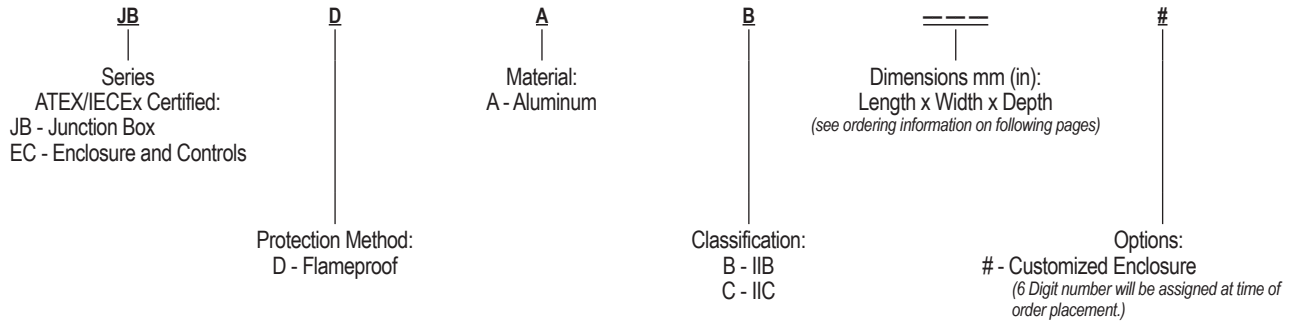
① Enclosure Type CF1A, CF1B, CF1D, and CF1E are not IECEx certified.

# ATX™ JBDA – ECDA Series Customized Enclosures




## Flameproof

ATEX/IECEx Ⓢ: Zones 1 and 2 – 21 and 22

### Catalog Numbering Guide — JBDA – ECDA Series Customized Enclosures



Enclosures and Junction Boxes

Type	Dimensions mm (in) L x W x D	Hinged Door	Weight kg (lb)	Volume dm <sup>3</sup> (in <sup>3</sup> )	Catalog Number		
					JBD Series	ECD Series	
<b>Ex d IIB Enclosure in Cast Aluminum with Flanged Flameproof Joint</b>							
	CF10B	260 x 270 x 208 (10.24 x 10.63 x 8.19)	—	9 (19.84)	17 (1037.40)	<b>JBDAB262720#</b>	<b>ECDAB262720#</b>
	CF20B	370 x 270 x 208 (15.57 x 10.63 x 8.19)	—	13 (28.66)	24 (1464.57)	<b>JBDAB372720#</b>	<b>ECDAB372720#</b>
	CF30B	340 x 320 x 230 (13.39 x 12.60 x 9.06)	Yes	29 (63.93)	68 (4149.61)	<b>JBDAB343223#</b>	<b>ECDAB343223#</b>
	CF40B	455 x 320 x 347 (17.91 x 12.60 x 13.66)	Yes	50 (110.23)	126 (7688.99)	<b>JBDAB453234#</b>	<b>ECDAB453234#</b>
	CF50B	455 x 440 x 347 (17.97 x 17.32 x 13.66)	Yes	65 (143.30)	240 (14645.70)	<b>JBDAB454434#</b>	<b>ECDAB454434#</b>
	CF60B	680 x 440 x 413 (26.77 x 17.32 x 16.26)	Yes	106 (233.69)	378 (23066.98)	<b>JBDAB684441#</b>	<b>ECDAB684441#</b>
	CF70B	680 x 640 x 413 (26.77 x 25.20 x 16.26)	Yes	130 (286.60)	382 (23311.07)	<b>JBDAB686441#</b>	<b>ECDAB686441#</b>
<b>Ex d IIC Enclosure in Cast Aluminum with Spigot Flameproof Joint</b>							
	CF1E	140 x 162 x 100 (5.51 x 6.38 x 3.94)	—	1.5 (3.31)	2.2 (134.25)	<b>JBDAC141610#</b>	<b>ECDAC141610#</b>
	CF1B	210 x 230 x 125 (8.27 x 9.06 x 4.92)	—	4.8 (10.58)	5.5 (335.63)	<b>JBDAC212312#</b>	<b>ECDAC212312#</b>
	CF1A	295 x 265 x 195 (11.61 x 10.43 x 7.68)	—	10 (22.05)	9.6 (585.83)	<b>JBDAC292619#</b>	<b>ECDAC292619#</b>
	CF1D	360 x 335 x 200 (14.17 x 13.19 x 7.87)	—	10 (22.05)	14.6 (890.95)	<b>JBDAC363320#</b>	<b>ECDAC363320#</b>
<b>Ex d IIC Enclosure in Cast Aluminum with Screwed Flameproof Joint</b>							
	CF10C	230 x 215 x 238 (9.05 x 8.46 x 9.37)	—	12 (26.46)	16 (976.38)	<b>JBDAC232124#</b>	<b>ECDAC232124#</b>
	CF30C	320 x 340 x 234 (12.60 x 13.39 x 9.21)	—	28 (61.73)	68 (4149.61)	<b>JBDAC323423#</b>	<b>ECDAC323423#</b>
	CF50C	440 x 455 x 345 (17.32 x 17.91 x 13.58)	—	64 (141.10)	245 (14950.82)	<b>JBDAC444534#</b>	<b>ECDAC444534#</b>

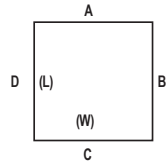
① Enclosure Type CF1A, CF1B, CF1D, and CF1E are not IECEx certified.

# ATX™ JBDA – ECDA Series Customized Enclosures

## Flameproof

ATEX/IECEx ①: Zones 1 and 2 – 21 and 22

### Dimensions in Millimeters (Inches)



Type	Dimensions mm (in) L x W x D	Maximum Quantity of Threaded Entries Per Side				Max. Size ②	Rail Length Capacity for Terminal Block mm (in)	
		A M20	B M20	C M20	D M20		(L)	(W)
<b>Ex d IIB Enclosure in Cast Aluminum</b>								
CF10B	260 x 270 x 208 (10.24 x 10.63 x 8.19)	8	6	8	6	M75	155 (6.10)	148 (5.83)
CF20B	370 x 270 x 208 (15.57 x 10.63 x 8.19)	6	12	6	12	M75	260 (10.24)	148 (5.83)
CF30B	340 x 320 x 230 (13.39 x 12.60 x 9.06)	8	8	8	8	M75	260 (10.24)	218 (8.58)
CF40B	455 x 320 x 347 (17.91 x 12.60 x 13.66)	16	28	16	28	M75	330 (12.99)	200 (7.87)
CF50B	455 x 440 x 347 (17.97 x 17.32 x 13.66)	26	26	26	26	M75	295 (11.61)	330 (12.99)
CF60B	680 x 440 x 413 (26.77 x 17.32 x 16.26)	26	51	26	51	M100	540 (21.26)	300 (11.81)
CF70B	680 x 640 x 413 (26.77 x 25.20 x 16.26)	38	42	38	42	M100	530 (20.87)	530 (20.87)
<b>Ex d IIC Enclosure in Cast Aluminum</b>								
CF1E	140 x 162 x 100 (5.51 x 6.38 x 3.94)	1	2	1	2	M32	–	99 (3.90)
CF1B	210 x 230 x 125 (8.27 x 9.06 x 4.92)	1	3	2	3	M32	–	155 (6.10)
CF1A	295 x 265 x 195 (11.61 x 10.43 x 7.68)	6	6	5	6	M63	190 (7.48)	190 (7.48)
CF1D	360 x 335 x 200 (14.17 x 13.19 x 7.87)	16	17	15	17	M63	180 (7.09)	250 (9.84)
<b>Ex d IIC Enclosure in Cast Aluminum</b>								
CF10C	230 x 215 x 238 (9.05 x 8.46 x 9.37)	5	5	5	5	M75	120 (4.72)	105 (4.13)
CF30C	320 x 340 x 234 (12.60 x 13.39 x 9.21)	8	8	8	8	M75	260 (10.24)	215 (8.46)
CF50C	440 x 455 x 345 (17.32 x 17.91 x 13.58)	26	26	26	26	M75	295 (11.61)	330 (12.99)

① Enclosure Type CF1A, CF1B, CF1D, and CF1E are not IECEx certified.

② Consult your local sales representative for quantity.

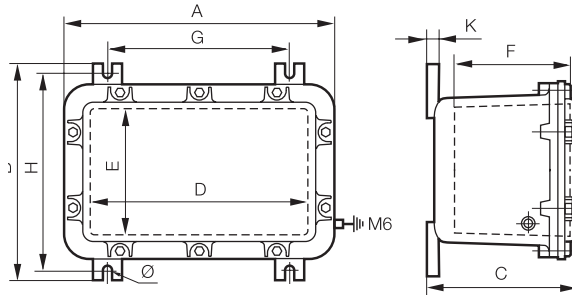
# ATX™ JBDA – ECDA Series Customized Enclosures

## Flameproof

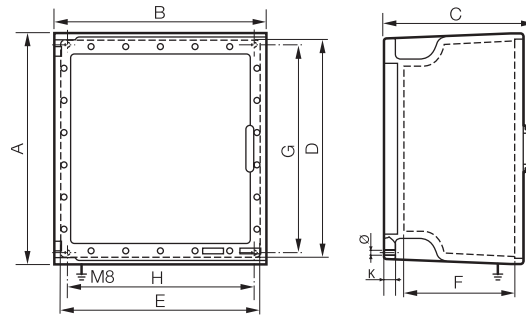
ATEX/IECEx ①: Zones 1 and 2 – 21 and 22

### Dimensions in Millimeters (Inches)

JBDA and ECDA: CF10B and CF20B



JBDA and ECDA: CF30B and CF70B



Enclosures and Junction Boxes

Type	A	B	C	D	E	F	G	H	K	Ø
<b>JBDA and ECDA: CF10B and CF20B</b>										
CF10B	259 (10.20)	270 (10.63)	207 (8.15)	190 (7.48)	175 (6.89)	161 (6.34)	140 (5.51)	245 (9.65)	15 (0.59)	11 (0.43)
CF20B	369 (14.53)	270 (10.63)	207 (8.15)	300 (11.81)	175 (6.89)	161 (6.34)	250 (9.84)	245 (9.65)	15 (0.59)	11 (0.43)
<b>JBDA and ECDA: CF30B and CF70B</b>										
CF30B	340 (13.39)	320 (12.60)	238 (9.37)	285 (11.22)	265 (10.43)	161 (6.34)	298 (11.73)	278 (10.94)	20 (0.79)	9 (0.35)
CF40B	455 (17.91)	320 (12.60)	377 (14.84)	395 (15.55)	265 (10.43)	253 (9.96)	391 (15.39)	256 (10.08)	25 (0.98)	11 (0.43)
CF50B	455 (17.91)	440 (17.32)	380 (14.96)	400 (15.75)	376 (14.80)	253 (9.96)	391 (15.39)	376 (14.80)	25 (0.98)	11 (0.43)
CF60B	680 (26.77)	440 (17.32)	445 (17.52)	610 (24.02)	376 (14.80)	292 (11.50)	616 (24.25)	376 (14.80)	25 (0.98)	14 (0.55)
CF70B	680 (26.77)	640 (25.20)	445 (17.52)	610 (24.02)	576 (22.68)	292 (11.50)	616 (24.25)	576 (22.68)	25 (0.98)	14 (0.55)

① Enclosure Type CF1A, CF1B, CF1D, and CF1E are not IECEx certified.

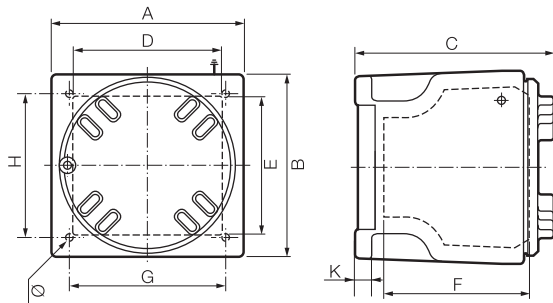
# ATX™ JBDA – ECDA Series Customized Enclosures

## Flameproof

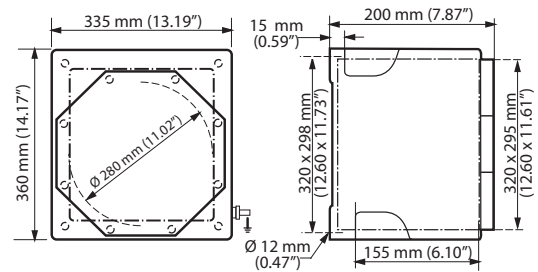
ATEX/IECEx ①: Zones 1 and 2 – 21 and 22

### Dimensions in Millimeters (Inches)

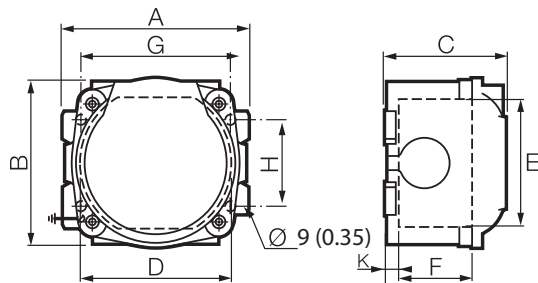
**JBDA and ECDA CF10C to CF50C**



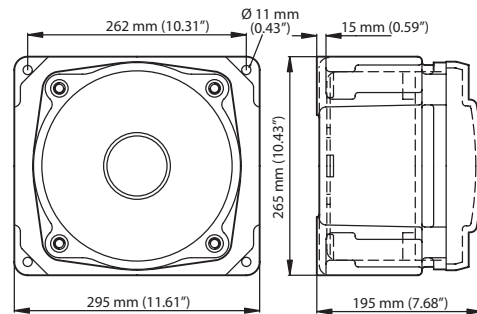
**JBDA and ECDA: CF1D**



**JBDA and ECDA: CF1B and CF1E Type**



**JBDA and ECDA: CF1A Type**



Type	A	B	C	D	E	F	G	H	K	Ø
<b>JBDA and ECDA: CF10C to CF50C</b>										
CF10C	230 (9.06)	215 (8.46)	238 (9.37)	180 (7.09)	165 (6.50)	175 (6.89)	188 (7.40)	173 (6.81)	20 (0.79)	9 (0.35)
CF30C	320 (12.60)	340 (13.39)	234 (9.21)	271 (10.67)	290 (11.42)	154 (6.06)	278 (10.94)	298 (11.73)	20 (0.79)	9 (0.35)
CF50C	440 (17.32)	455 (17.91)	345 (13.58)	386 (15.20)	401 (15.79)	241 (9.49)	376 (14.80)	391 (15.39)	25 (0.98)	11 (0.43)
<b>JBDA and ECDA: CF1B and CF1E</b>										
CF1B	230 (9.06)	210 (8.27)	125 (4.92)	175 (6.89)	175 (6.89)	90 (3.54)	210 (8.27)	100 (3.94)	15 (0.59)	9 (0.35)
CF1E	140 (5.51)	162 (6.38)	121 (4.76)	120 (4.72)	120 (4.72)	80 (3.15)	120 (4.72)	120 (4.72)	12 (0.47)	9 (0.35)

① Enclosure Type CF1A, CF1B, CF1D, and CF1E are not IECEx certified.